

Produkt	QuantaDat Transmitter			novasina The Art of Precision Measurement
Dokument	Technical Specification			Novasina AG CH-8853 Lachen
Dokument Nr.	006038	Index	00	Seite Seite 1 von 2

QuantaDat Transmitter



A modular transmitter with display and freely configurable analog signals for up to 4 nSens Sensors.

4 analog Outputs (0/4-20mA or 0/2-10V).

Version with 2 additional Relays available

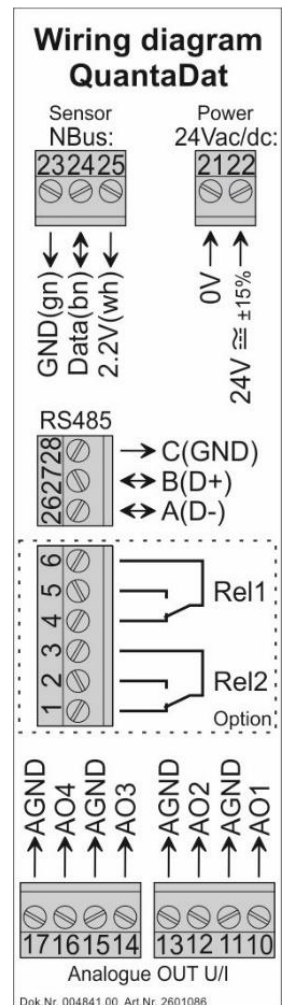
Art. No. 2601087 (Quantadat with 4 analog output)

Art. No. 2601161 (Quantadat-RL with 4 analog output and 2 Relays)

Technical Data and wiring diagram

Bezeichnung	QuantaDat 4 Kanal-Multisensorsystem	
Power supply	24V +/- 15% AC or DC (galvanic isolated)	
	Maximum ratings / permissible voltage range: DC: 19..39V AC: 19..27.6V	
Power consumption	max. 3W	
Display	Graphical display with LED backlight, resolution 128 x 64 Pixel	
Display resolution	Humidity	0.1% RH
	Temperature	0.1°C 0.1°F
	Mixing ratio	0.001 g/kg 0.01 gr/lb
	Water vap. partial press.	0.01 mbar
	Dew point temperature	0.1°C td 0.1°F td
	Specific enthalpy	0.1 kJ/kg 0.1 Btu/lbm
	Absolute humidity	0.01 g/m ³ 0.01 gr/ft ³
	Analogue outputs (4 outputs)	4 scalable analogue outputs, current 0/4..20mA or voltage 0/2..10V
	Load (I):	min. 0 Ω / max. 500 Ω
	Load resistance (U):	min. 10 kΩ / max. ∞ Ω
	The analogue outputs are protected against external voltage of ±40V	
	On an unloaded analogue output, a voltage of 15V can be applied if the device output is configured on voltage settings in the device menu	
Relay contact <i>(only for QuantaDat-RL)</i>	2 relay contacts Switching Power <=50V/2A/60W	
Housing material	ABS - lid blue RAL 5014, bottom grey RAL 7035	
Protection class	IP54	
Soldering material	lead free (RoHS compliant)	
Working temp.	0 to 50°C	
Storage temperature	-10 to 60°C (non-condensing)	
CE-/EMC	Safety: IEC 61010-1:2010 EMC: IEC 61000-6-2:2005, EN 61000-6-2:2005 IEC 61000-6-3:2006+A1:2010, EN 61000-6-3:2007+A1:2011	

Sensor 1 - 4 together in same screw terminals



Produkt	QuantaDat Transmitter			novasina The Art of Precision Measurement
Dokument	Technical Specification			Novasina AG CH-8853 Lachen
Dokument Nr.	006038	Index	00	Seite Seite 2 von 2

Electrical Installation

Typically recommended wiring:

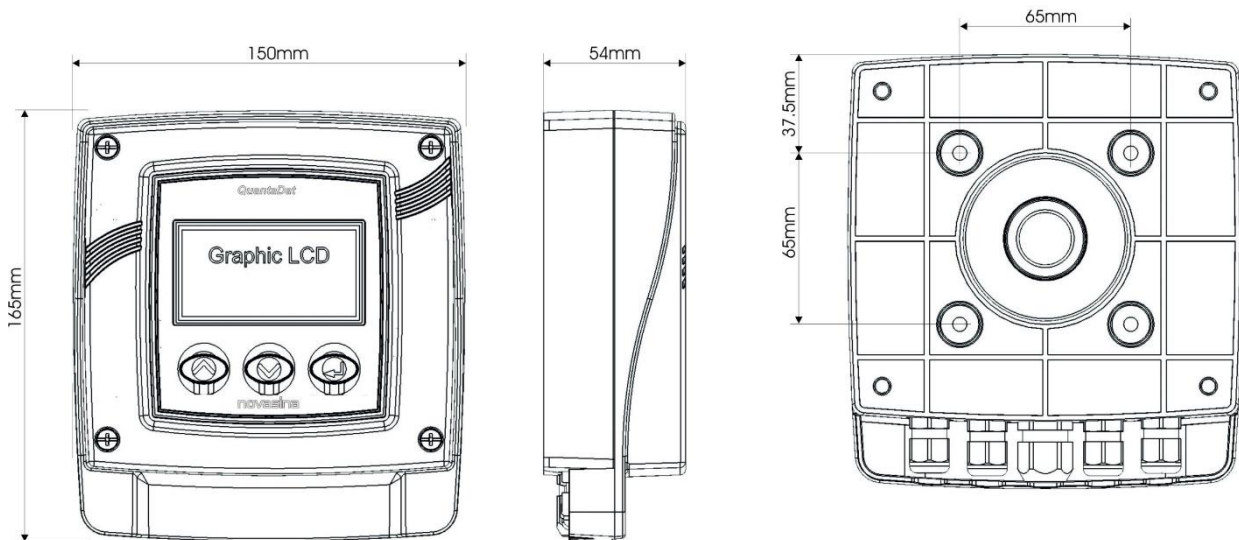
	Kabelspezifikation	Bemerkung
Power supply	Single cable of 0.5...0.75 mm ² (22 ... 18 AWG) with PVC isolation or equivalent 2-fold cord cable.	Clamping range of connecting terminal: 0.2 - 2.5 mm ²
Signal outputs	Single cable of 0.25...0.5 mm ² (24 ... 20 AWG) twisted with screen & PVC isolation or equivalent 2/4/6/8 multi-core cable.	Clamping range of connecting terminal: 0.2 - 2.5 mm ²
Relay contacts	Cable dimensions dependant on the switching power needed	only for version with relay

Note: cable specifications depend on the installation and have to be defined by the designer or installer.

For EMC protection it is recommended to take the following measures:

- Wires emitting interference must be separated from measurement and analysis units
- Parallel guidance of measurement- and electrical power-cables should be avoided

Dimension



Technical data subject to change without prior notice