

Mechanical accessories Pulsation dampner series MA.91

dampner for hydraulic shock & Pulsation
Accessories for pressure instrument

General features

- Accessories for pressure instrument
- Solution for hydraulic shock and pulsation of the medium

Application area

- Stainless steel version for aggressive media, even in aggressive environments
- Process industry: Machine building, general plant, construction, chemical industry, petrochemical industry, power plants, mining, on-/offshore and environmental technology

General specification

Material

Case	St. steel 316 (1.4571)
Screw	St. steel 316 (1.4571)
O-ring	Viton
Regulation spindle	St. steel 316 (1.4404)

Connection to the pressure measuring instrument

G 1/2 B female per EN 837-1/7.3

Process connection

G 1/2 B per EN 837-1/7.3

Other connection request

G 1/4", G 3/8", M20 x 1.5, NPT 1/4", NPT 1/2"

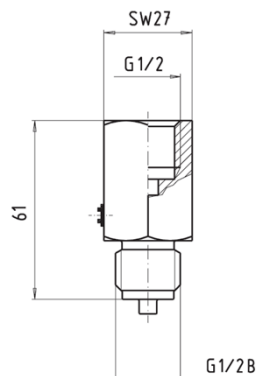
Description

Surface	steel phosphated, steel raw
Media	liquids, gases and vapours
MAX. temp.	120 °C

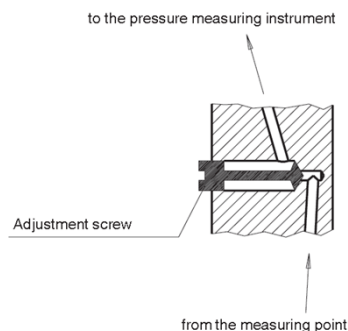


Mechanical accessories, series MA.91

Dimension in mm



Operating principle



DAHO

Daho Tronic Ltd.

STX W-Tower 209

Gyeongin-ro 53Gil 90 Guro-gu

Seoul 08215 Korea

Tel: +82 2 865-7001 Fax: +82 2 865-7109

info@daho.co.kr

www.daho.co.kr