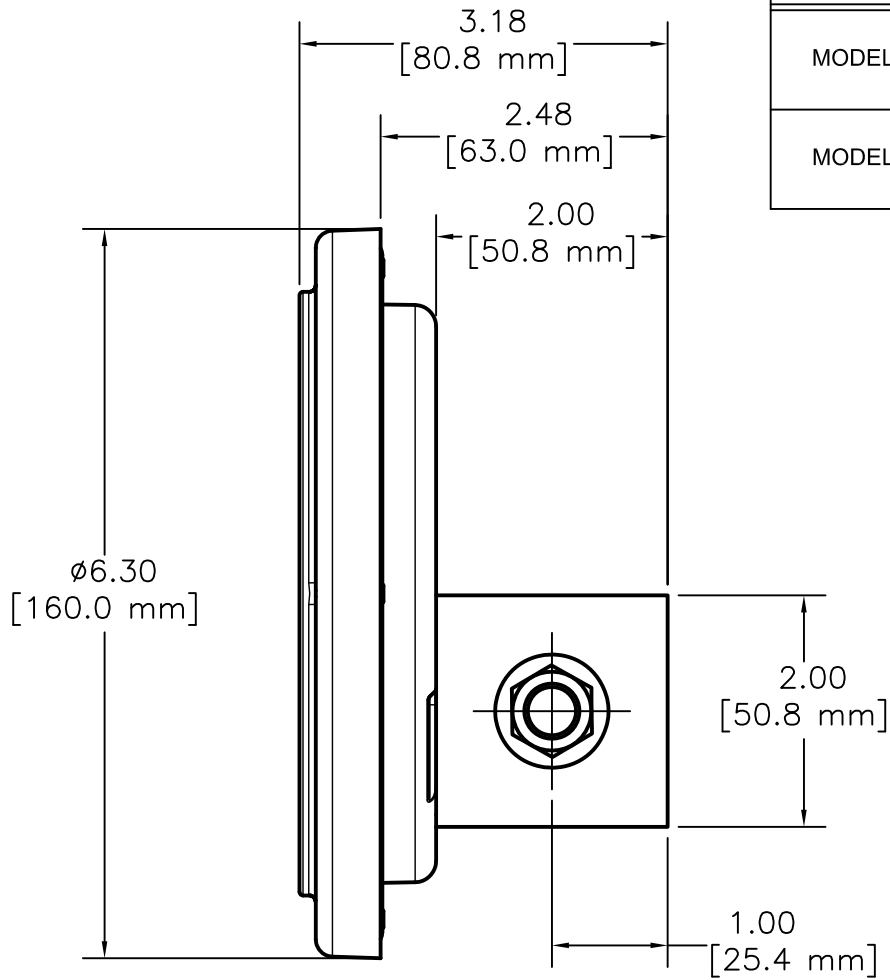
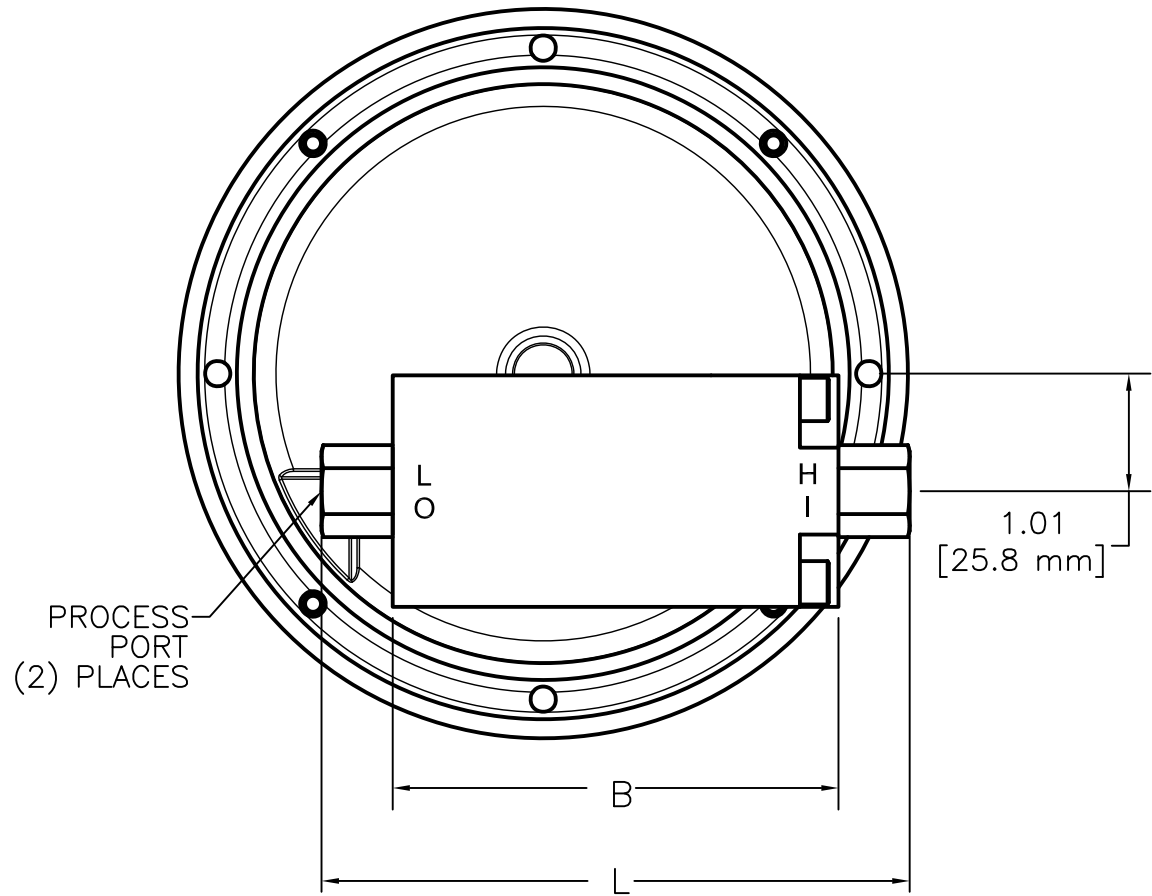


END CONNECTED PROCESS PORTS

MODEL NUMBER	END PORT PIPE THREAD	DIMENSION B Inch (mm)	DIMENSION L Inch (mm)
MODEL 140	1/4 NPT	4.70 (119.4)	5.91 (150.1)
	1/2 NPT		7.66 (194.5)
MODEL 142	1/4 NPT	3.85 (97.8)	5.07 (128.8)
	1/2 NPT		6.82 (173.1)

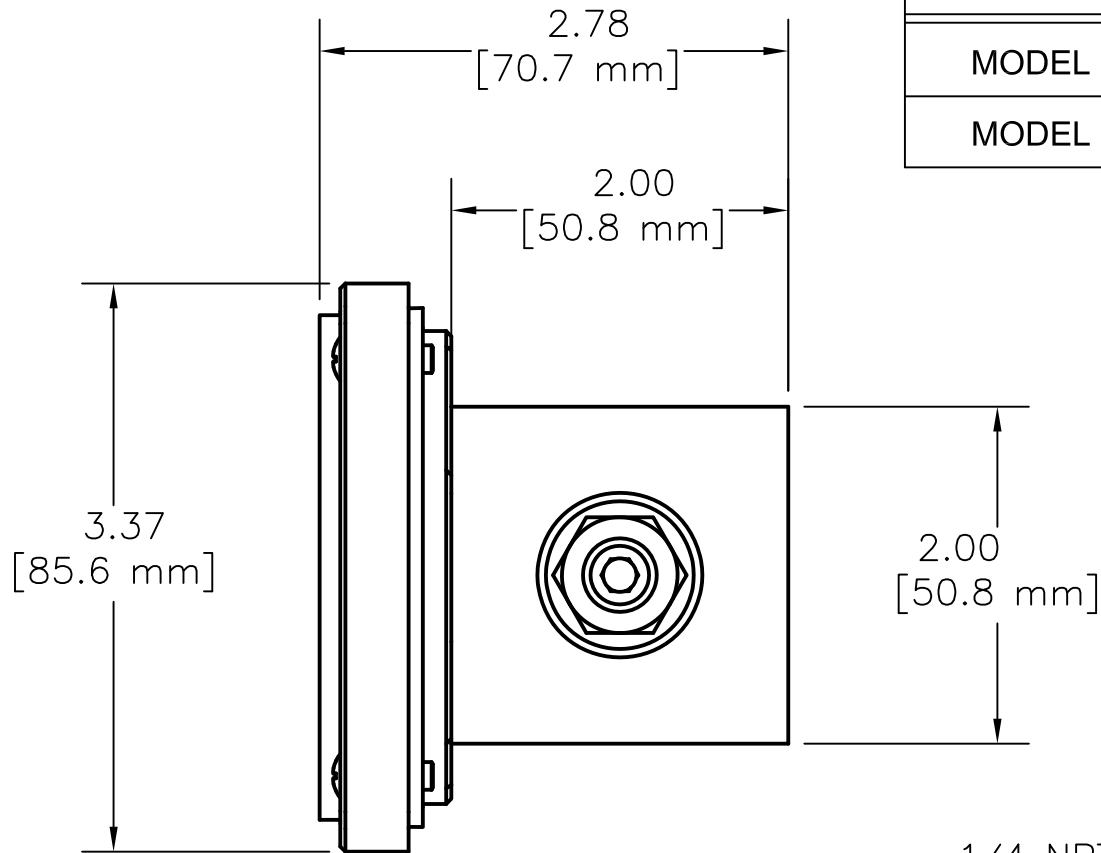


4-1/2 in. DIAL SHOWN



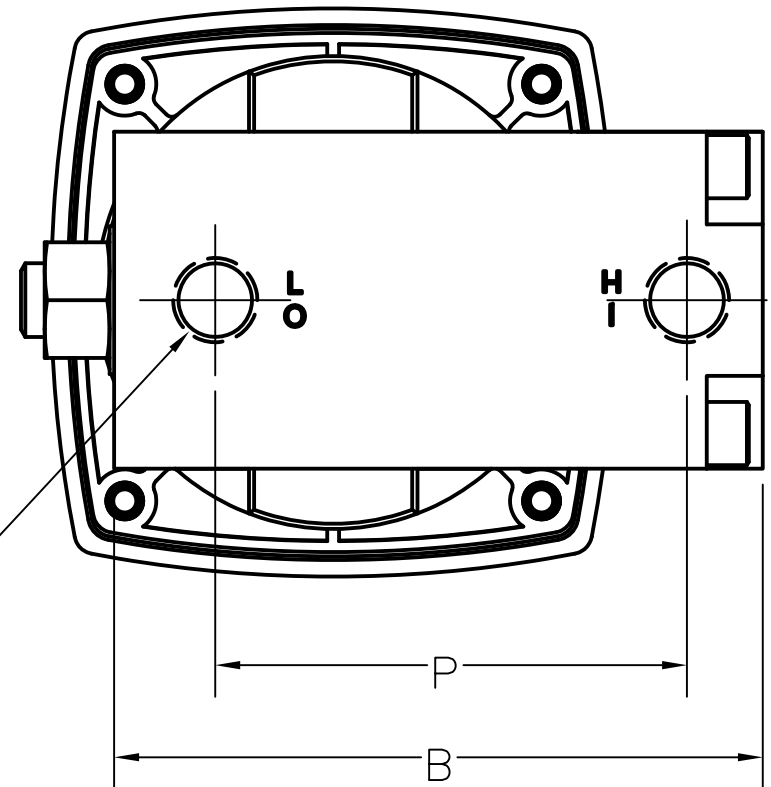
BACK CONNECTED PROCESS PORTS

MODEL NUMBER	DIMENISON P	DIMENISON B
	Inch (mm)	Inch (mm)
MODEL 140	3.80 (96.5)	4.70 (119.4)
MODEL 142	2.80 (71.1)	3.85 (97.8)

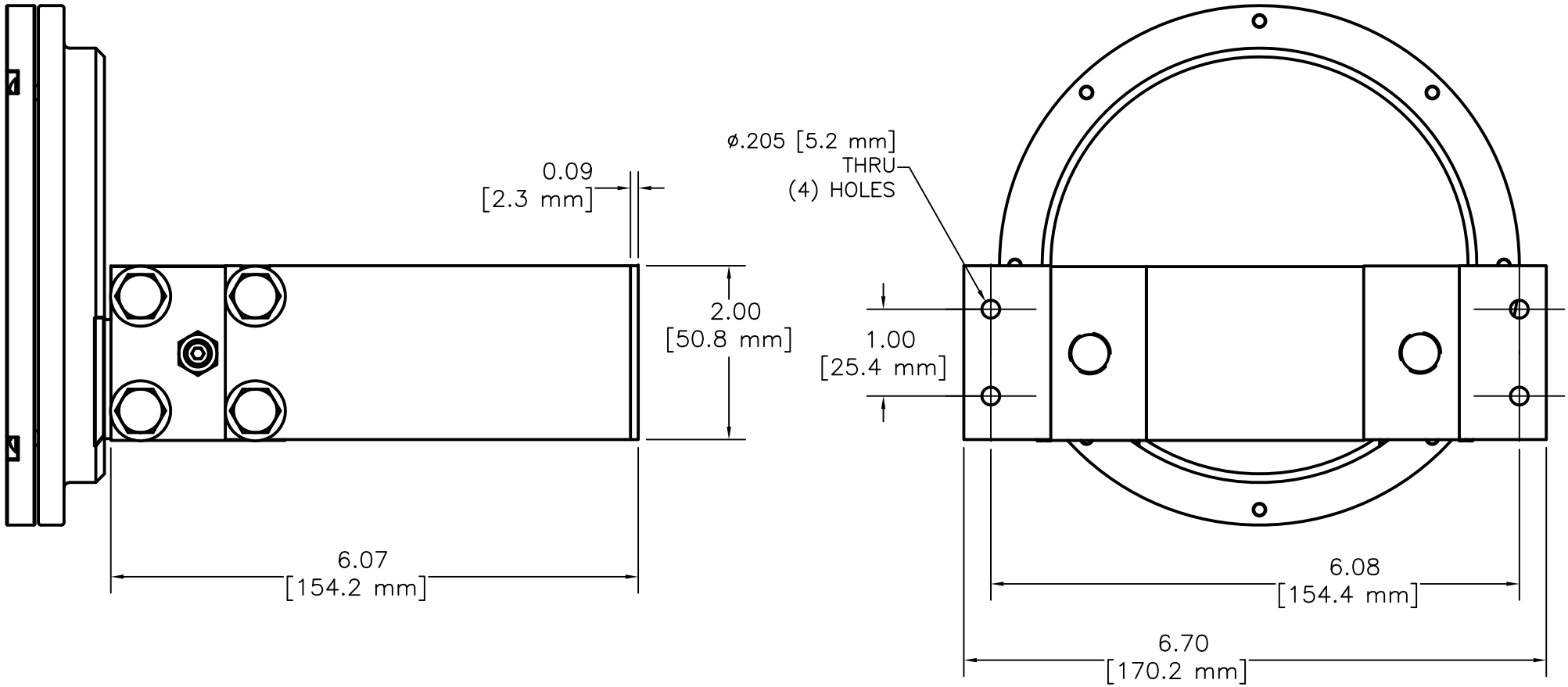


2-1/2 in. DIAL SHOWN

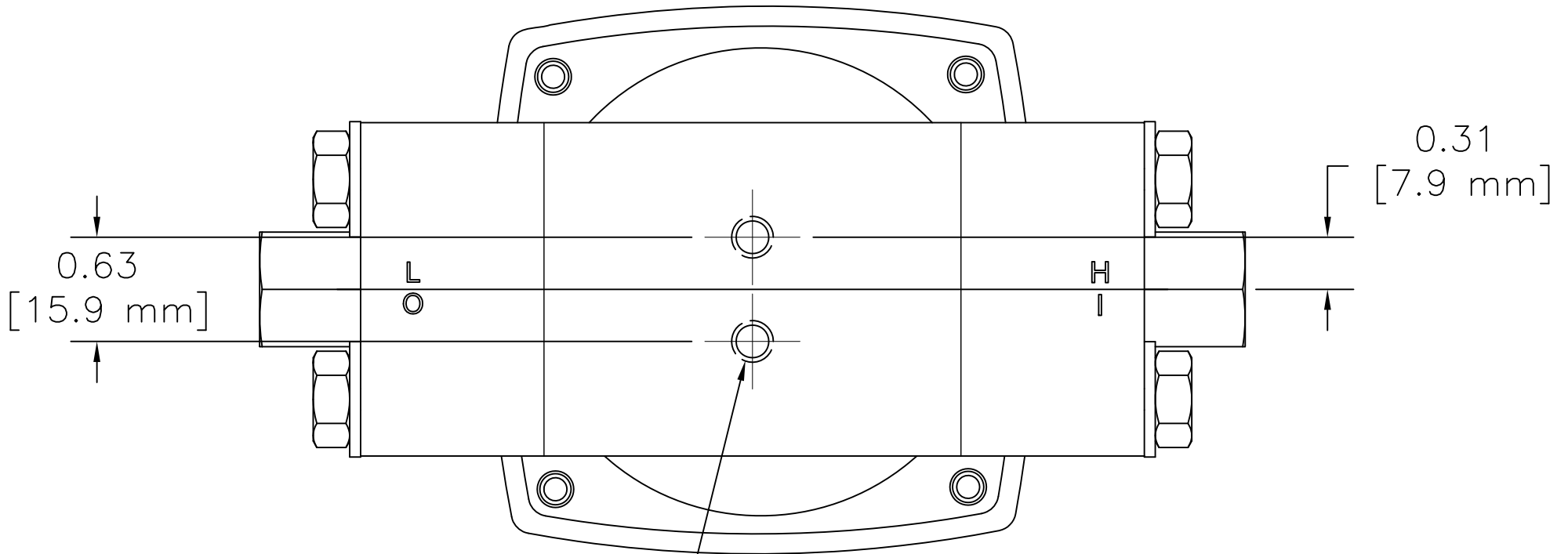
1/4 NPT
PORT
(2) PLACES



WALL MOUNT BRACKET

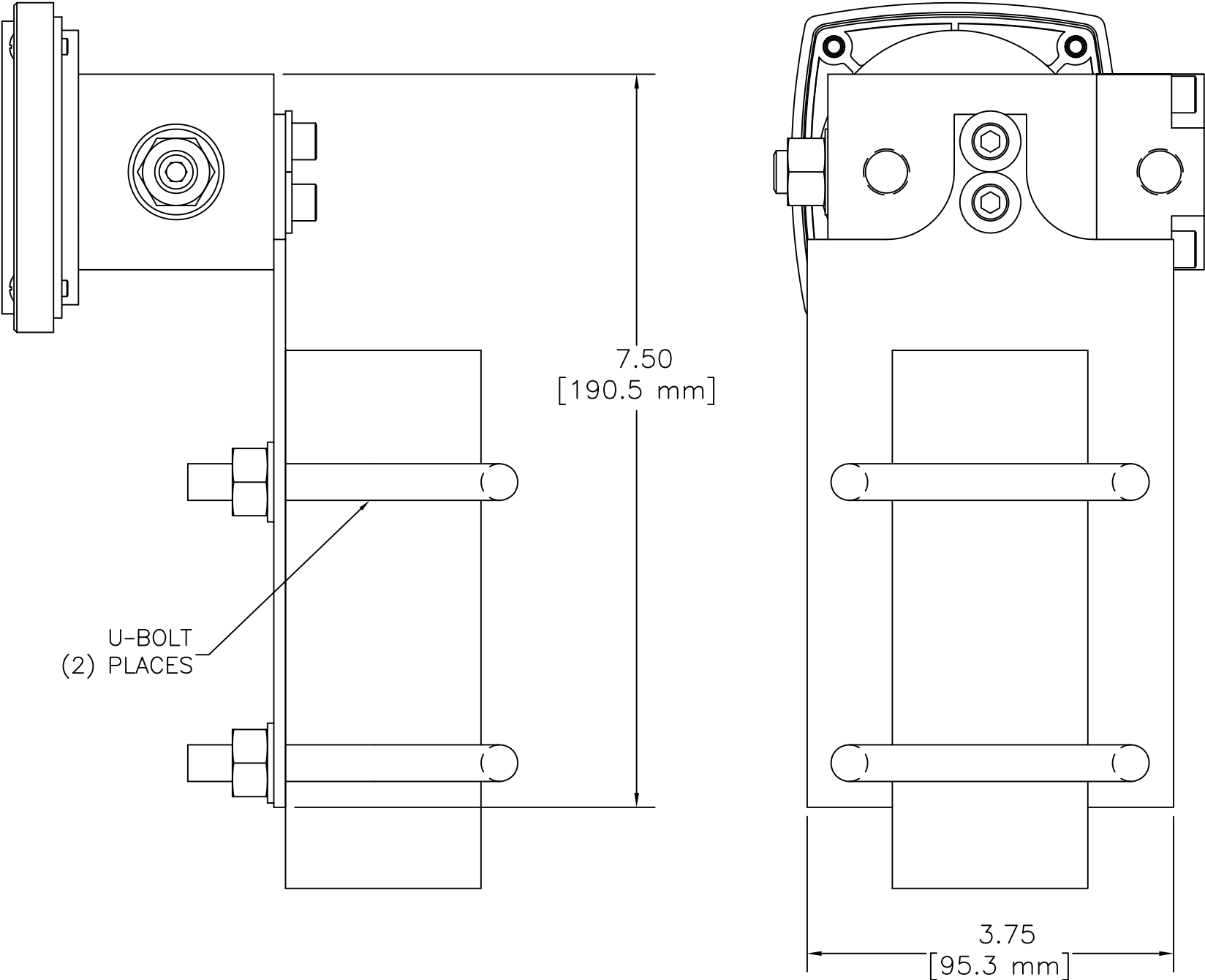


1/4-20 UNC BACK MOUNTING HOLES



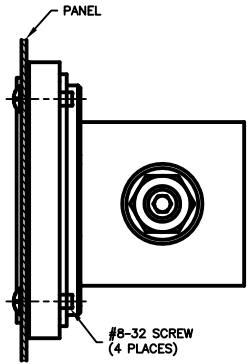
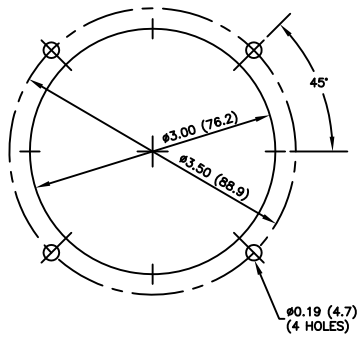
1/4-20 UNC
(5) THREADS
(2) HOLES

2 INCH PIPE MOUNT (FOR VERTICAL OR HORIZONTAL PIPE)

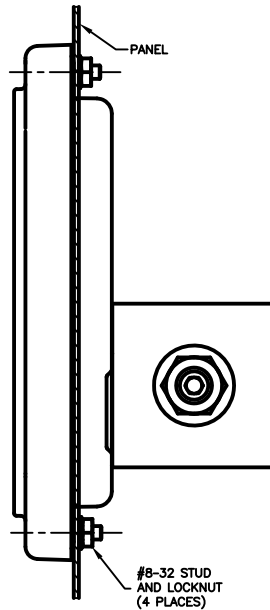
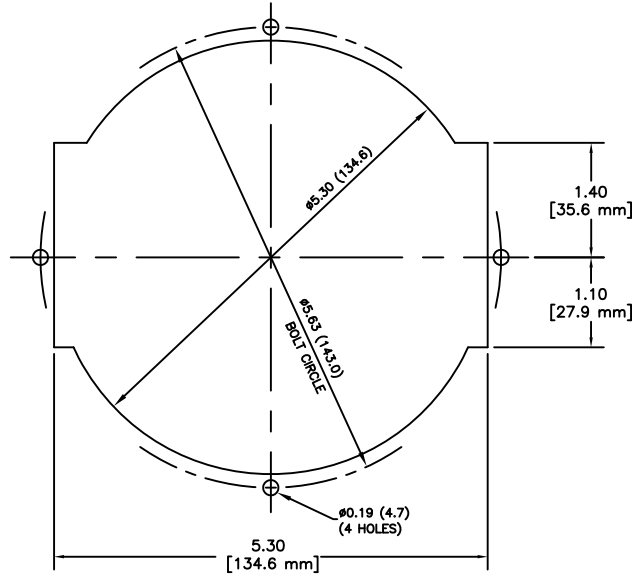


MODEL 140 AND 142 PANEL CUT-OUT DIMENSIONS

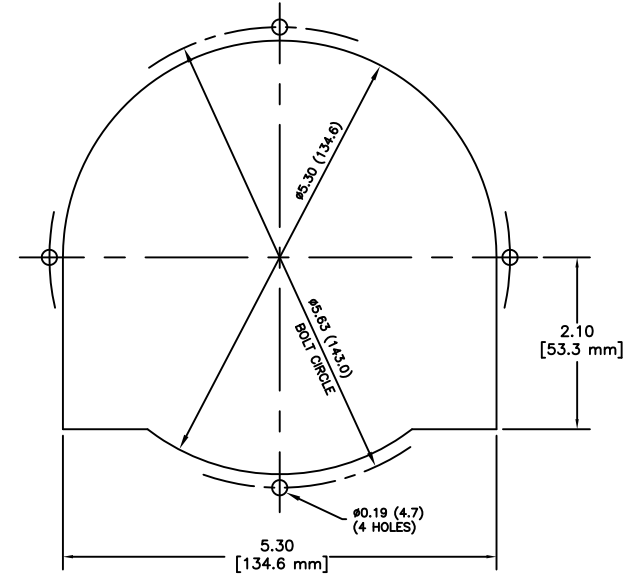
MODEL 140 AND 142
2-1/2 in. DIAL PANEL CUT-OUT



MODEL 140
4-1/2 in. DIAL PANEL CUT-OUT



MODEL 142
4-1/2 in. DIAL PANEL CUT-OUT



MODEL 140 AND 142
6 in. DIAL PANEL CUT-OUT

