

Pressure gauge with Inductive contact series MIS



All st. steel materials
bayonet ring case stainless steel
with inductive contacts device

General specification

- Pressure gauge with switch contact device
- All. st. steel pressure gauge
- German movement and sensing element
- German inductive switch device
- Scale range up to 4,000 bar

Application area

- The MIS series is used for process control, factory monitoring and circuit switching.
- Apply for Chemical industry, petrochemical industry, power plants and general plant construction.

General specification

Normal size

MIS.5xx : 100mm

Pressure ranges

-1...0 to 4000 bar

Accuracy class

MIS.5xx : Accuracy (DIN EN 837-1) class 1.0

Type of mounting

Bottom connection
Bottom connection with back flange
Back connection
Back connection with front flange

Pressure limitation

Steady: 3/4 x full scale value
Fluctuating: 2/3 x full scale value
Short time: full scale value

Temperature range of

Medium:
unfilled instruments: -40...+200°C
with glycerine filling: -20...+100°C
with silicon oil filling: -40...+100°C

Ambient :

unfilled instruments: -40...+60°C
with glycerine filling: -20...+60°C

Degree of protection

DIN EN 60 529/IEC 529, IP65



Pressure gauge with inductive contacts, MIS

Case and bezel ring

Made of stainless steel, SUS 304
Bayonet ring
With blow-out top

Bourdon tube material

Stainless steel, SUS 316L upto 1000 bar

Tube form

Pressure < 60 bar : Bourdon tube (C-tube)
Pressure ≥ 60 bar : Heral tube (H-tube)

Movement

Stainless steel

Dial

Aluminium, white

Window

Instrument safety glass

Electrical connection

Cable gland M20x1.5
Exterior cable diameter 7-13mm

Option

Case filling 85%
- glycerine
- silicon



DAHO Tronic Limited
Tel: 02-865-7001 Fax: 02-865-7109
mail: info@daho.co.kr

STX W-Tower 209
Gyeongin-ro 53 Gil 90 Guro-gu
Seoul 08215 Korea

Ordering information

MODEL CODE

MIS

Dial size

5 : 100 mm

Mounting

- 1 : Bottom connection
- 2 : Bottom connection with back flange
- 3 : Back connection
- 4 : Back connection with front flange

Liquid filling

- 0 : Dry
- 1 : Glycerin

Process connection

- G2 : PF 1/2"
- G3 : PF 3/8"
- G4 : PF 1/4"
- R2 : PT 1/2"
- R3 : PT 3/8"
- R4 : PT 1/4"
- N2 : NPT 1/2"
- N3 : NPT 3/8"
- N4 : NPT 1/4"
- H2 : M16 x 1.5 female

Option

Refer to option table

Inductive contact

- lx : 1 contact
 - I1: making, high contact
 - I2: breaking, low contact
- lxx : 2 contacts, double contacts
 - I12: high & low contacts
 - I21: low & high contacts

Pressure range

Refer to pressure range table

Unit of measurement

- B: bar
- M: MPa
- P: psi
- D: dual scale (MPa/bar)

Pressure range code, unit bar

Code	Range	Code	Range	Code	Range	Code	Range	Code	Range
R05	-1...24	R19	-1...0	R33	0...10	R42	0...70	R53	0...600
R07	-1...15	R21	0...0.6	R34	0...15	R43	0...100	R54	0...700
R09	-1...9	R23	0...1	R35	0...16	R44	0...150	R55	0...1000
R11	-1...5	R26	0...1.6	R36	0...20	R45	0...160	R56	0...1600
R13	-1...3	R27	0...2	R37	0...25	R47	0...250	R57	0...2000
R14	-1...2	R28	0...2.5	R38	0...35	R49	0...350	R58	0...2500
R15	-1...1.5	R29	0...3	R39	0...40	R50	0...400	R59	0...3000
R16	-1...1	R30	0...4	R40	0...50	R51	0...450	R60	0...4000
R17	-1...0.6	R32	0...6	R41	0...60	R52	0...500	RYY	others

Option code

Code	Description	Code	Description
ND	New dial design	TP	St. stell tag plate, 60 x 20 x 0.5t
NF	New dial face printing cost per pcs	MC	Manufacture calibration certificate
GM	Green marking per pcs	KC	KOLAS Ilac-MRA calibration certificate
CD	New dial face design with company logo	RE	Reed switch
RS	Restrictor screw in socket hole for high pulsation	SN	Snubber
UC	U-calmp for back connection, steel	AD	Adaptor
NO	"USE No OIL" per pcs, at least ≥ 10 pcs	CC	Certificate of conformance / orign
OF	Oval 3-hole front flange	PM	2" Pipe mounting bracket
MP	MISimum pointer	NC	Ni-Cr Plate
BB	Bayonet bezel ring for MISK.5xx	AL	Aluminium pointer for MIS3

How to order

MIS.510.G2BR37.112.GM

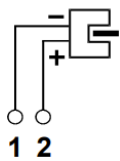
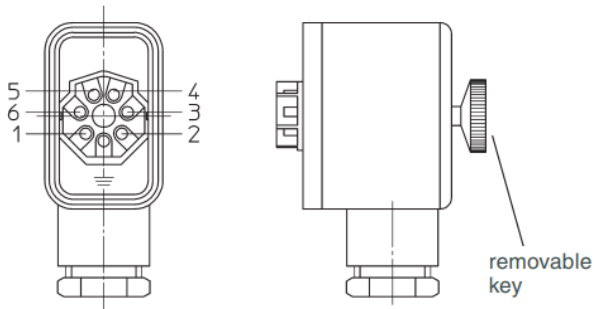
MIS, 100mm, bottom connection, Dry, G1/2", 0-25 bar, inductive high/low double contacts, Green marking

Load tables for limit value

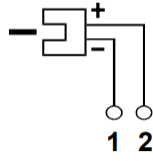
■ Performance Data for Electronic Inductive Switch Contact

Operating voltage U_B	5...25 VDC
Norminal vlrage U_O	8.2 V (R_i approx. 1 k Ω)
current consumption	MIS . 3 mA
Switching frequency f	0...5000 Hz
MISimum input current i_i	25 mA
MISimum input power P_i	34 mW
MISimum input voltage U_i	16 V

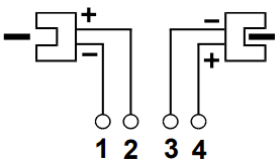
Switching functions



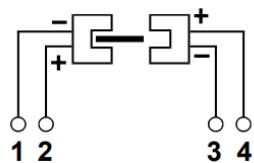
make contact / High



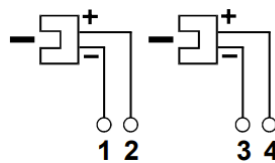
break contact / Low



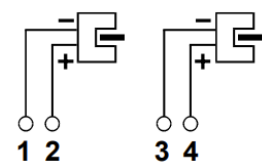
1: break contact
2: make contact



1: make contact
2: break contact

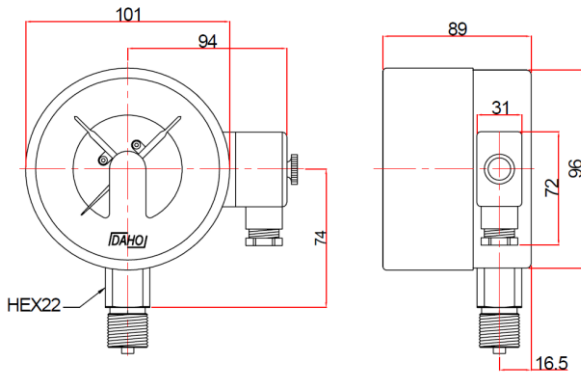


1: break contact
2: break contact

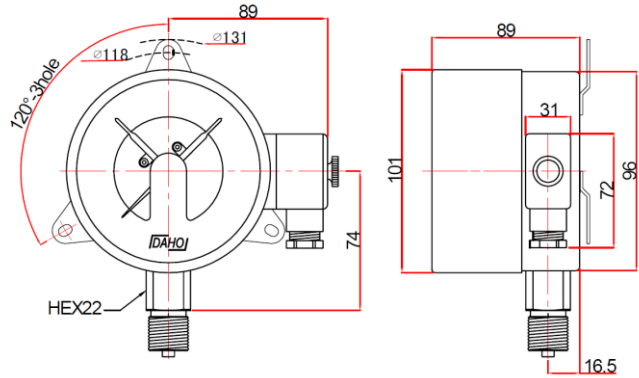


1: make contact
2: make contact

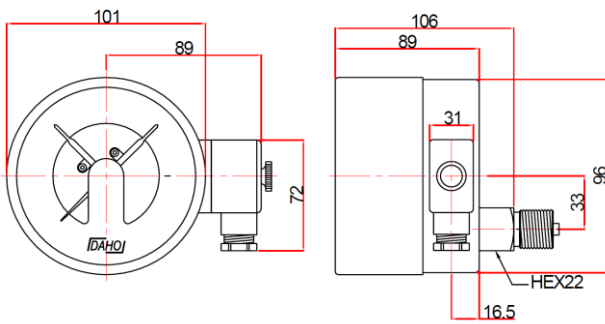
Outline Drawing



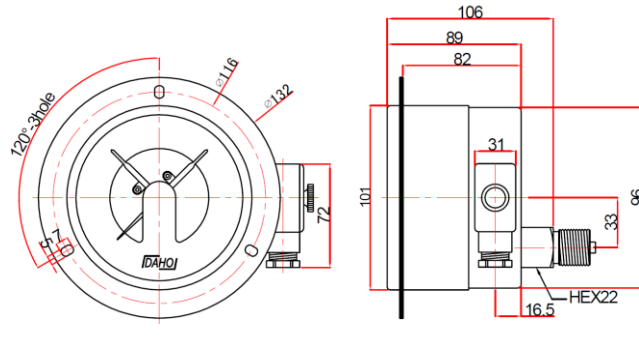
Bottom connection



Bottom connection with 3-lug

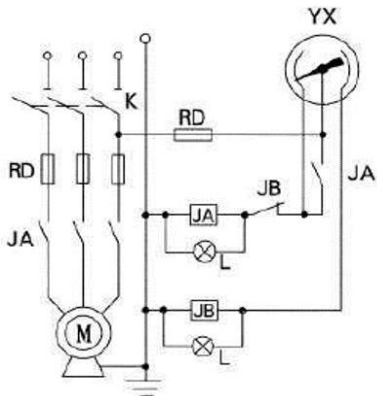


Back connection



Back connection with front-flange

Wiring scheme



YX	Electric contact pressure gauge
M	Power generator
JA	Contractor and its contracts
JB	Medium relay and its contracts
K	Combination switch
L	Indication camp
RD	Fuse

DAHO

Daho Tronic Ltd.

STX W-Tower 209

Gyeongin-ro 53Gil 90 Guro-gu

Seoul 08215 Korea

Tel: +82 2 865-7001 Fax: +82 2 865-7109

info@daho.co.kr

www.daho.co.kr