

Pressure gauge all stainless steel series MAXK

All st. steel materials
Dry, glycerine or silicon filled

General specification

- All st. steel pressure gauges
- German movement and sensing element
- Pressure ranges from -1...0 bar to 0...4000 bar
- Case and element assembly of stainless steel
- Bayonet bezel ring with stainless steel 304
- Degree of Protection, IP65

Application area

- MAXK is suitable for use in various sectors of industry
- High quality stainless steel design for measuring gaseous, liquid and aggressive media.
- Chemical and petrochemical industry
- Pharmaceutical, food and beverage industry

General specification

Normal Size & pressure ranges

MAXK.3xx : 63mm	-1...0 to 1000 bar
MAXK.4xx : 80mm	-1...0 to 1000 bar
MAXK.5xx : 100mm	-1...0 to 4000 bar
MAXK.8xx : 160mm	-1...0 to 4000 bar

Accuracy class

MAXK3, MAXK4 : Accuracy (DIN EN 837-1) class 1.6
MAXK5, MAXK8 : Accuracy (DIN EN 837-1) class 1.0

Type of mounting

Bottom connection
Bottom connection with back flange
Back connection
Back connection with front flange

Pressure limitation

Steady: 3/4 x full scale value
Fluctuating: 2/3 x full scale value
Short time: full scale value

Temperature range of

Medium:
unfilled instruments: -40...+200°C
with glycerine filling: -20...+100°C
with silicon oil filling: -40...+100°C
Ambient :
unfilled instruments: -40...+60°C
with glycerine filling: -20...+60°C

Degree of protection

DIN EN 60 529/IEC 529, IP 65



All st. steel pressure gauge, series MAXK

Case and bezel ring

Made of stainless steel, SUS 304
Bayonet ring
With blow-out top

Bourdon tube material

Stainless steel, SUS 316L upto 1600 bar
Ni Span C, Pressure \geq 2500 bar

Tube form

Pressure < 60 bar : Bourdon tube (C-tube)
Pressure \geq 60 bar : Heral tube (H-tube)

Movement

Stainless steel

Dial

Aluminium, white

Pointer

Aluminium, black

Window

Instrument safety glass

Connection to process, \geq 2500 bar

M16 x 1.5 (F) and cone for 1/4" tube
9/16-18UNF (F) with sealing cone
5/8-18 UNF (F) with inner sealing cone

Option

Case filling 85%
- Glycerine
- Silicon



DAHO Tronic Limited
Tel: 02-865-7001 Fax: 02-865-7109
mail: info@daho.co.kr

STX W-Tower 209
Gyeongin-ro 53 Gil 90 Guro-gu
Seoul 08215 Korea

Ordering information

MODEL CODE **MAXK** • [] • [] • [] • [] • [] • [] • []

Dial size
3 : 63 mm
4 : 80 mm
5 : 100 mm
8 : 160 mm

Mounting
1 : Bottom connection
2 : Bottom connection with back flange
3 : Back connection
4 : Back connection with front flange

Liquid filling
0 : Dry
1 : Glycerin
2 : Silicon

Unit of measurement
B: bar
M: MPa
P: psi
D: dual scale (MPa/bar)

Option
Refer to option table

Process connection
G2 : G 1/2" / PF1/2"
G3 : G 3/8" / PF 3/8"
G4 : G 1/4" / PF1/4"
R2 : R 1/2" / PT 1/2"
R3 : R 3/8" / PT 3/8"
R4 : R 1/4" / PT 1/4"
N2 : NPT 1/2"
N3 : NPT 3/8"
N4 : NPT 1/4"
U1 : UNF 7/16"-20 male
U2 : UNF 7/16"-20 female
H1 : UNF 5/8"-18 female
H2 : M16 x 1.5 female

Pressure range, refer to CODE
MAXK.3xx / 4xx -1...0 to 0...1000 bar
MAXK.5xx / 8xx -1...0 to 0...4000 bar

Pressure range code, unit bar

Code	Range	Code	Range	Code	Range	Code	Range	Code	Range
R05	-1...24	R19	-1...0	R33	0...10	R41	0...60	R52	0...500
R07	-1...15	R21	0...0.6	R34	0...15	R42	0...70	R53	0...600
R09	-1...9	R23	0...1	R35	0...16	R43	0...100	R54	0...700
R11	-1...5	R26	0...1.6	R36	0...20	R44	0...150	R55	0...1000
R13	-1...3	R27	0...2	R37	0...25	R45	0...160	R56	0...1600
R14	-1...2	R28	0...2.5	R61	0...30	R47	0...250	R57	0...2000
R15	-1...1.5	R29	0...3	R38	0...35	R49	0...350	R58	0...2500
R16	-1...1	R30	0...4	R39	0...40	R50	0...400	R59	0...3000
R17	-1...0.6	R32	0...6	R40	0...50	R51	0...450	R60	0...4000
								RYY	others

Option code

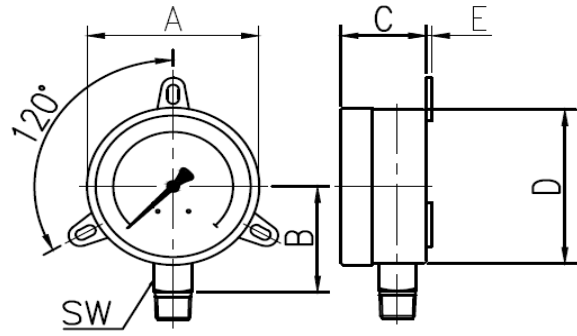
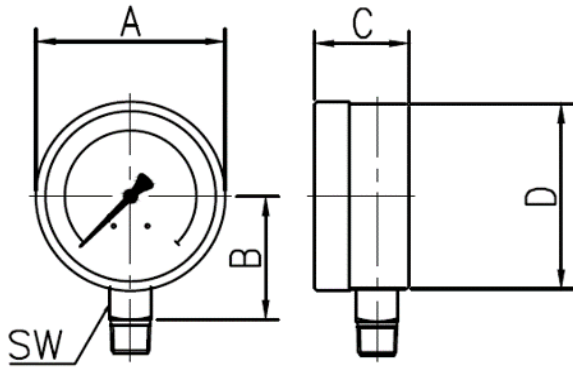
Code	Description	Code	Description
ND	New dial design	TP	St. stell tag plate, 60 x 20 x 0.5t
NF	New dial face printing cost per pcs	MC	Manufacture calibration certificate
GM	Green marking per pcs	KC	KOLAS Ilac-MRA calibration certificate
CD	New dial face design with company logo	RE	Reed switch
RS	Restrictor screw in socket hole for high pulsation	SN	Snubber
UC	U-calmp for back connection, steel	AD	Adaptor
NO	"USE No OIL" per pcs, at least ≥ 10 pcs	CC	Certificate of conformance / orign
OF	Oval 3-hole front flange	PM	2" Pipe mounting bracket
MP	Maximum pointer	NC	Ni-Cr Plate
BB	Bayonet bezel ring for MAXK.5xx	AL	Aluminium pointer for MAXK.3xx

How to order

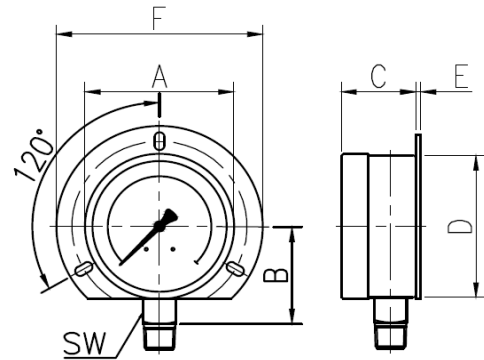
MAXK.511.G2.D.R33.GM

MAXK, 100mm, Bottom connection, Gly, G1/2", 0...10 bar/MPa, Green marking(custom)

Outline drawing



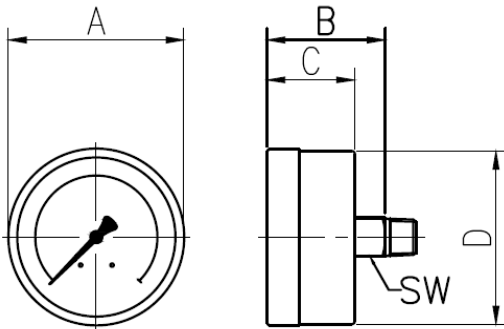
MAXK.5xx & MAXK.8xx



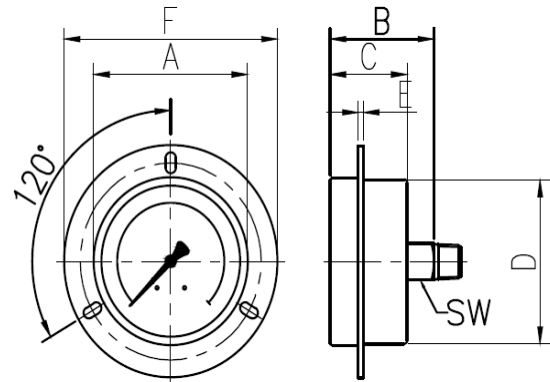
MAXK.3xx & MAXK.4xx

Bottom connection

Bottom connection with Rear Flange



Back connection / center back



Back connection with Front Flange

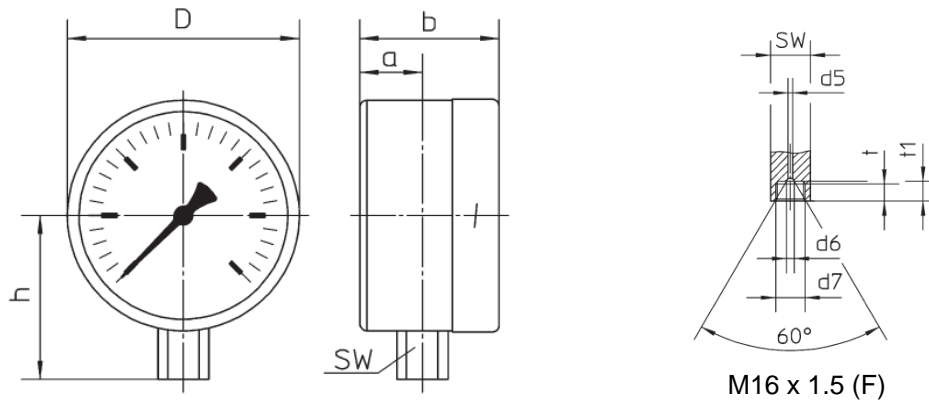
Dimension (mm)

Series MAX	A	B	C	D	E	F	SW
MAXK.3xx	67.5	57	32	62.2	2	85	14
MAXK.4xx	86	67	36	77	2	110	17
MAXK.5xx	100	90	48	97	2	132	22
MAXK.8xx	160	116	50	156	4	196	26

Outline drawing

For high pressure, ≥ 2500 bar

Bottom connection



Dimension (mm)

Series MAX	a	b	D	h	d5	d6	t	t1	SW
MAX.5xx	25	59	101	87	-	4.8	10.5	12	22
MAX.8xx	27	65	161	118	-	4.8	10.5	12	22

Process connection

Thread code

code	specification
H2	M16 x 1.5 (F) and cone for 1/4" tube
U4	9/16-18UNF (F) with sealing cone
H1	5/8-18 UNF (F) with inner sealing cone

How to order

MAXK.511.H2.BR60

MAXK.511, 100mm, Bottom connection, Glycerin, M16 x 1.5 (F), 0...4000 bar

DAHO

Daho Tronic Ltd.

STX W-Tower 209

Gyeongin-ro 53Gil 90 Guro-gu

Seoul 08215 Korea

Tel: +82 2 865-7001 Fax: +82 2 865-7109

info@daho.co.kr

www.daho.co.kr