

Low pressure gauges with chemical seals series MDL

Diaphragm without liquid filling
St. steel case & Diaphragm

General features

- All st. steel pressure gauges
- Measuring dry type diaphragm
- Pressure ranges from 0...10 mbar to 0...400 mbar
- Accuracy class 1.6
- Degree of Protection IP 65

Application area

- Dry type diaphragm low pressure gauge, measuring low pressure, designed for difficult media, such as aggressive contaminated or viscous liquids and gases.
- Machinery construction, Chemical and petrochemical industry, General process technology, Water / wastewater, Power plants, Mining, On/offshore, and general plant construction

General specification

Size

100mm, 160 mm

Pressure ranges

0...16 mbar to 0...400 mbar

Accuracy class

Class 1.6 per EN 837-1

Temperature

ambient and storage temperature -20...+60 °C
max. medium +100 °C

Overpressure

130% full scale value

Temperature influence

max. $\pm 0.8\%$ / 10K of measuring span per EN 837-3

Upper measuring Flange

flange $\varnothing 160$ mm under 250 mbar
flange $\varnothing 100$ mm at 400 mbar

Degree of protection (DIN EN 60 529/IEC 529)

IP 65

Case and bezel ring

stainless steel bayonet ring
blow-out back 1" plug (case dry type) or
top of case plug (case filling type)



Low Pressure Gauge with chemical seal series MDL

Type of mounting

Bottom connection

Process Connection

Stainless steel 316
thread type G1/2B, flange type "I" shape

Movement

St. steel

Diaphragm

Stainless steel 316 Ti

Diaphragm housing

Upper flange stainless steel 304
Lower flange stainless steel 316

Dial

Aluminium, white

Pointer

Aluminium, black

Window

Instrument safety glass

Option

case filling 85% - glycerin / water mixture



DAHO Tronic Limited

Tel: 02-865-7001 Fax: 02-865-7109
mail: info@daho.co.kr

STX W-Tower 209
Gyeongin-ro 53 Gil 90 Guro-gu
Seoul 08215 Korea

www.daho.co.kr

Options

- Other process connections upon request
thread type, 3/4", 1"
- Wetted parts supplies various protection foils and special materials
PTFE, PFA, Monel, Hastelloy, Tantalum etc.
- Extended temperature range
ambient temperature and max. medium temperautre
- Accuracy class 1.0 upon request
not available low range under 160 mbar and protection foil type



DAHO Tronic Limited
Tel: 02-865-7001 Fax: 02-865-7109
mail: info@daho.co.kr

STX W-Tower 209
Gyeongin-ro 53 Gil 90 Guro-gu
Seoul 08215 Korea

www.daho.co.kr

Ordering information

Model code

MDL . [] . [] . [] . [] . [] . [] . []

Dial size

5 : 100 mm
8 : 160 mm

Mounting

1 : Bottom Connection

Liquid filling

0 : Dry
2 : Silicon (10CS)

Option

Refer to option table

Pressure range

Refer to pressure range table

Unit of measurement

B : bar D : dual scale
M : MPa X : others
P : psi

Process connection

G2 : PF 1/2" N2 : NPT 1/2"
G3 : PF 3/8" N3 : NPT 3/8"
G4 : PF 1/4" N4 : NPT 1/4"
R2 : PT 1/2" ZZ : Flange,
R3 : PT 3/8" Refer to flange rating table
R4 : PT 1/4"

Pressure range code, unit bar

Code	Range	Code	Range
R125	0...16 mbar	R133	0...160 mbar
R126	0...25 mbar	R135	0...250 mbar
R128	0...40 mbar	R137	0...400 mbar
R130	0...60 mbar	YY	Others
R131	0...100 mbar		

Flange Rating Table

JIS				ANSI			Flange face		
	SIZE	WEIGHT			SIZE	WEIGHT			
A1	15A	1	10K	B1	1/2"	1	150#	R	RF-Rise Face
A2	20A	2	20K	B2	3/4"	2	300#	F	FF-Flat Face
A3	25A	3	30K	B3	1"	3	600#	J	RTJ-Ring type joint
A4	32A			B4	1-1/4"	4	900#		
A5	40A			B5	1-1/2"				
A6	50A			B6	2"				
				B7	3"				

Option code

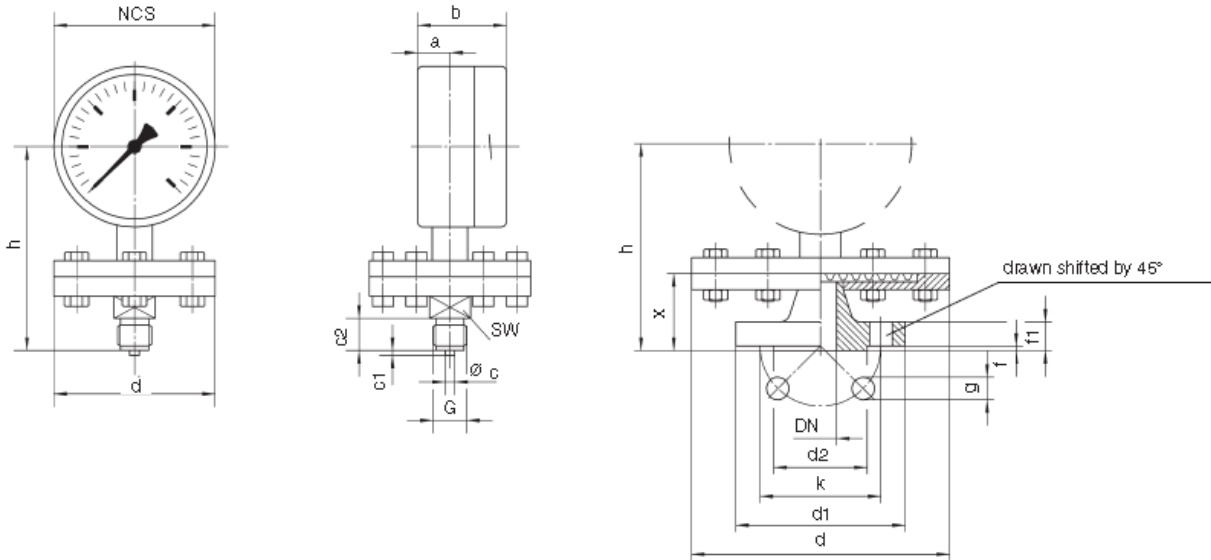
Code	Description	Code	Description
ND	New dial design	TP	St. stell tag plate, 60 x 20 x 0.5t
NF	New dial face printing cost per pcs	MC	Manufacture calibration certificate
GM	Green marking per pcs	KC	KOLAS Ilac-MRA calibration certificate
CD	New dial face design with company logo	R	Reed switch
RS	Restrictor screw in socket hole for high pulsation	SN	Snubber
UC	U-calmp for back connection, steel	AD	Adaptor
NO	"USE No OIL" per pcs, at least ≥ 10 pcs	CC	Certificate of conformance / orign
OF	Oval 3-hole front flange	PM	2" Pipe mounting bracket
MP	Maximum pointer	NC	Ni-Cr Plate
BB	Bayonet bezel ring for MBX5	AL	Aluminium pointer for MBX3

How to Order

MDL.510.G2BR28.GM

MDL5, 100mm, Cl. 1.6%of FS, Bottom Connection, Dry, G1/2", 0...400 mbar, Green marking

Outline drawing



Dimension (mm)

	d	NCS	h	b	SW
MDL5	100	100	127	55	22
	160				
MDL8	100	100	157	55	22
	160				