

Pressure Gauge with turret case series MAP

st. steel material & thermoplastic case
safety version per ASME B40.100

General features

- St. steel pressure gauges with thermoplastic case
- German movement and sensing element
- Pressure ranges from 0...1 bar to 0...1000 bar
- Accuracy grade 2A ($\pm 0.5\%$ of F.S)
- Case material PBT
- Solid front safety pattern case
- Degree of Protection, IP65

Application area

- MAP is suitable for corrosion environment and heat resistance.
- For fluid and gaseous, aggressive media which are not highly viscous and do not tend to polymerize.
- Chemical and oil-processing industries

General specification

Size

4-1/2" / 125mm

Pressure ranges

-1...0 & 0...0.6 to 0...1000 bar

Accuracy class

Accuracy (ASME B40.100) grade 2A, ($\pm 0.5\%$ of F.S)

Temperature

operating temperature ranges
(ambient and measured medium)

-40...+60°C

storage temperature

-20...+60°C

Temperature effect

$\pm 0.4\%$ per 10°C of F.S

Degree of protection (DIN EN 60 529/IEC 529)

IP 65

Case and bezel ring

Material: PBT

Screw type

Solid-front safety pattern, pressure relief back



St. Steel Pressure Gauge with Thermoplastic Case, Series MAP

Type of mounting

Bottom connection

Back connection

Process Connection

Material: St. steel

NPT 1/2" (standard)

others on request

Bourdon Tube

St. steel 316L

≤ 40 bar : C type bourdon tube

≥ 60 bar : Herical type bourdon tube

Movement

St. steel

Anti vibration damping movement

Dial

Aluminium, white

Pointer

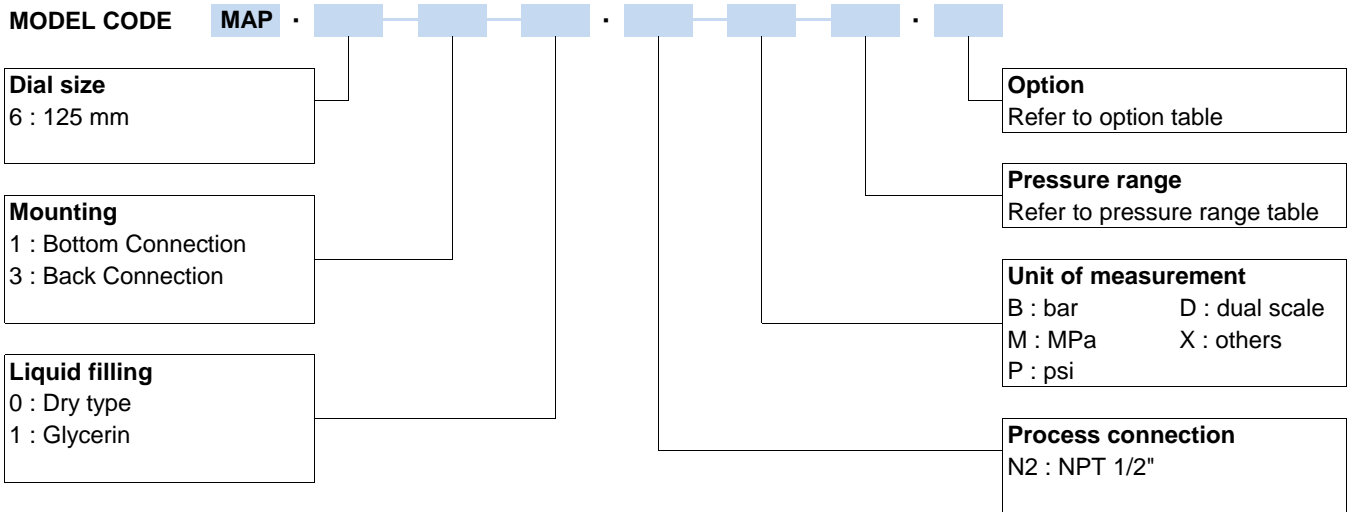
Aluminium, black

Adjustable

Window

Polycarbonate

Ordering Information



Pressure range code, unit bar

Code	Range	Code	Range	Code	Range	Code	Range
R23	0...1 bar	R33	0...10 bar	R43	0...100 bar	R55	0...1000 bar
R26	0...1.6 bar	R35	0...16 bar	R45	0...160 bar	RYY	Others
R28	0...2.5 bar	R37	0...25 bar	R47	0...250 bar		
R30	0...4 bar	R39	0...40 bar	R50	0...400 bar		
R32	0...6 bar	R41	0...60 bar	R53	0...600 bar		

Option code

Code	Description	Code	Description
ND	New dial design	TP	St. stell tag plate, 60 x 20 x 0.5t
NF	New dial face printing cost per pcs	MC	Manufacture calibration certificate
GM	Green marking per pcs	KC	KOLAS Ilac-MRA calibration certificate
CD	New dial face design with company logo	R	Reed switch
RS	Restrictor screw in socket hole for high pulsation	SN	Snubber
UC	U-calmp for back connection, steel	AD	Adaptor
NO	"USE No OIL" per pcs, at least ≥ 10 pcs	CC	Certificate of conformance / origin
OF	Oval 3-hole front flange	PM	2" Pipe mounting bracket
MP	Maximum pointer	NC	Ni-Cr Plate
BB	Bayonet bezel ring for MBX5	AL	Aluminium pointer for MBX3

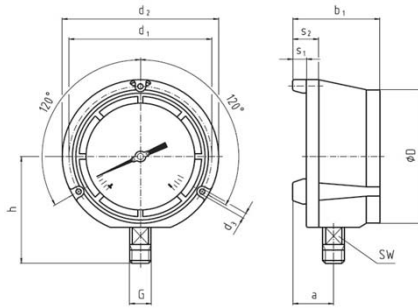
How to Order

MAP.610.N2BR37.GM

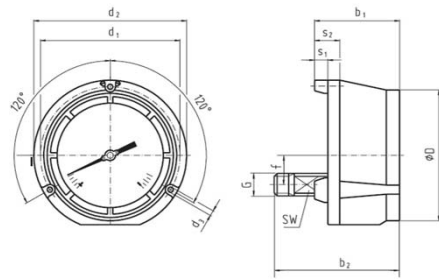
MAP6, 125mm, Cl. 0.5%of FS, Bottom Connection, Dry, NPT 1/2", 0...25 bar, Green marking

Outline Drawing

A : Bottom Connection



D : Back Connection (Lower)



Dimension (mm)

Series MAP	a	b1	b2	D	d1	d2	d3	f	G	h	s1	s2	SW
MAP6	40	84	120	128	136.5	148	6.3	29	NPT 1/2"	103	13	25	22



Daho Tronic Ltd.

STX W-Tower 209

Gyeongin-ro 53Gil 90 Guro-gu

Seoul 08215 Korea

Tel: +82 2 865-7001 Fax: +82 2 865-7109

info@daho.co.kr

www.daho.co.kr