

Mechanical Pressure Gauge

Bourdon tube pressure gauge
Dry type
Steel black case & wetted parts brass
series MBS

DAHO datasheet series MBS

General features

- Pressure ranges from -1...0 bar to 0...250 bar
- Accuracy class 1.6 or 2.5
- Steel black case
- Sensing element & connection - brass

Application area

- MBS is suitable for a medium which does not clog connection port or corrode copper alloys.
- For gaseous and liquid media which are not highly viscous, do not crystallize and do not attack copper alloys.
- MBS is commonly used on compressors, pump, pneumatic and hydraulic system and a variety of other application.

General specification

Size

40mm, 50mm, 63mm, 75mm, 100mm

Pressure range

-1...0 to 250 bar

Accuracy class

Class 1.6 for 63mm, 75mm, 100mm

Class 2.5 for 40mm, 50mm

Temperature

operating temperature ranges
(ambient and measured medium)

-20...+60°C

storage temperature

-20...+60°C

Degree of protection

IP 31

Case and bezel ring

Steel black case

Crimped-on ring



Bourdon tube pressure gauge(Dry type), series MBS

Type of mounting

Bottom connection

Back connection

Process Connection

Material: Brass

G1/4, G1/2, G3/8, PT1/4, PT1/2, PT3/8, UNF7/16"

others on request

Bourdon Tube

Brass

Movement

Brass

Dial

Aluminium

Pointer

Plastic

Window

Plastic

DAHO datasheet series MBS

Page 1 of 3

DAHO

Order Details

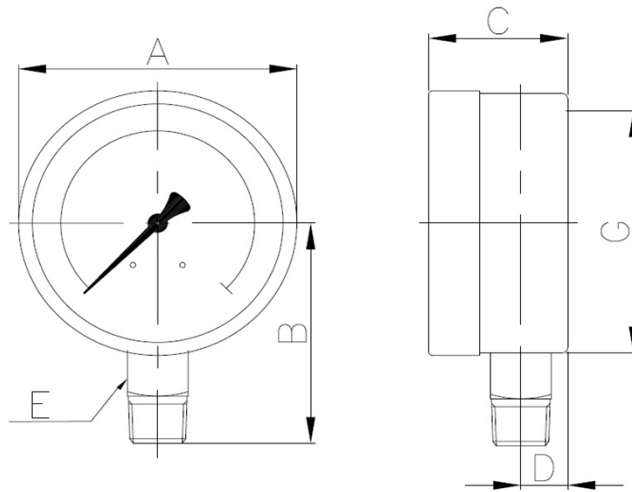
MBS - Pressure Gauge			
Dial size	40 mm	MBS1	
	50 mm	MBS2	
	63 mm	MBS3	
	75 mm	MBS4	
	100 mm	MBS5	
Type of mounting	Bottom connection	A	
	Back connection	D	
Pressure connection	G1/4	G4	
	G3/8	G38	
	G1/2	G2	
	PT 1/4	R4	
	PT 3/8	R38	
	PT 1/2	R2	
	UNF 7/16"	U7	
	Others	XX	
Liquid filling	Dry	0	
Unit of measurement	bar	B	
	kPa	K	
	psi	P	
	Others	X	
Pressure range	-1...0 bar		01
	-1...0.6 bar		02
	-1...1.5 bar		03
	-1...3 bar		04
	-1...5 bar		05
	-1...9 bar		06
	-1...15 bar		07
	-1...24 bar		08
	0...0.4 bar		09
	0...0.6 bar		10
	0...1 bar		11
	0...1.6 bar		12
	0...2.5 bar		13
	0...4 bar		14
	0...6 bar		15
	0...10 bar		16
	0...16 bar		17
	0...25 bar		18
	0...40 bar		19
	0...60 bar		20
	0...100 bar		21
	0...160 bar		22
	0...250 bar		23
	Others		YY

** please give additional specification for models not listed



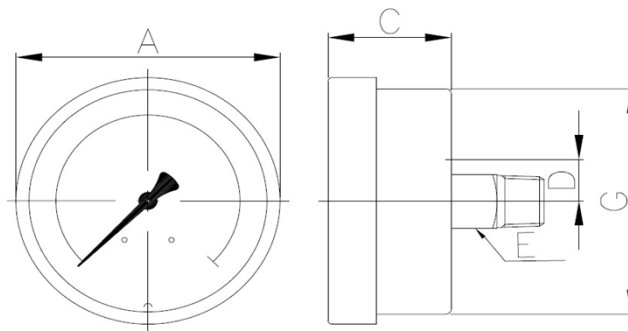
Drawing

MBS - Bottom



Size	A	B	C	D	E	G
40	40	36	25	9.5	12	39
50	50	45	26.8	10.3	14	49
63	63	51.5	29.7	9.8	14	62
75	75	72	32.8	12.8	22	74
100	100	82	34.5	15.8	22	99

MBS - Center back



Size	A	C	D	E	G
40	40	25	9.5	12	41
50	50	27	10.3	14	49
63	63	30.4	9.8	14	62
75	75	32.8	12.8	14	74
100	100	32	15.8	14	99



Daho Tronic Limited

STX W-Tower 209

Gyeongin-ro 53Gil 90 Guro-gu

Seoul 08215 Korea

Tel: +82 2 865-7001 Fax: +82 2 865-7109

info@daho.co.kr

www.daho.co.kr