

## Installation and Operating Instructions - Model 140

### 1. Safety



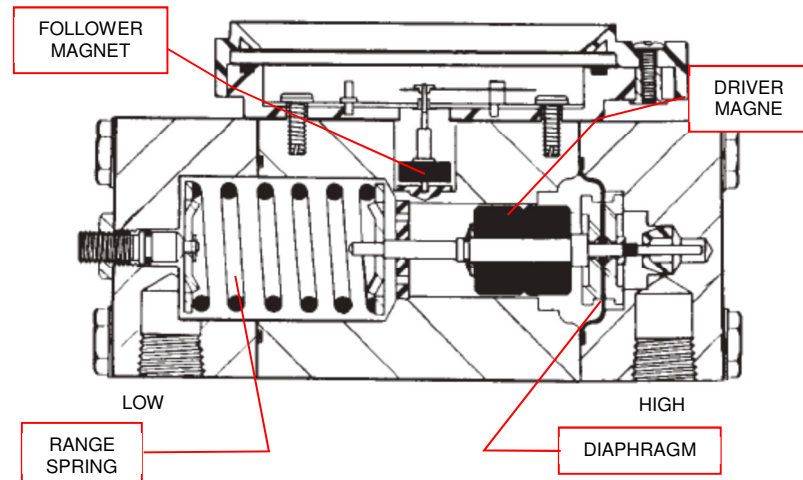
*Before installing verify compatibility to the process media and temperature in contact with the wetted parts. Incompatible media and / or operation at temperature extremes can cause premature degradation of materials which could result in safety risk to personnel.*

*Verify the selected pressure range (differential pressure and working pressure) and the switch ratings are within specification for your application.*

**Warning!** Remaining media may result in a risk to personnel, environment etc. Use sufficient precautionary measures when removing and transporting the product.

**1.1 Intended use:** The indicating / non-indicating differential pressure switches are used for monitoring differential pressures in industrial applications. The manufacturer shall not be liable for any claims if the product is used in applications contrary to the intended use.

**1.2 Personnel:** Personnel installing and putting this instrumentation into service shall be suitably trained and qualified in accordance with local codes, practices and regulations.



### PRODUCT DESCRIPTION

The Model 140 is a medium range differential pressure instrument available as a switch, gauge, or both. A flexible elastomer diaphragm and calibrated range spring are moved by differential pressure. A magnet, coupled with the diaphragm, transmits motion through the wall of the pressure housing to a follower magnet attached to an indicating pointer. The rotation of the follower magnet causes the pointer to track movement of internal driver magnet and indicate differential on the dial scale.

When equipped with switches, a contact is made or broken by the magnetic field of the internal magnet. See Bulletin ELECIM140 Series/latest for gauges with switches.

The diaphragm is totally supported upon reaching full travel in either direction, providing full over-range protection to rated working pressure.

### INSPECTION

Before installation check the product label on each instrument against the receiving paperwork and the intended application for correct part number, materials of construction, working pressure, dial range, etc. If equipped with switches, check electrical rating, type of enclosure, etc. Inspect for shipping damage and, if damaged, report it immediately.

**NOTE - Before attempting repairs contact your local Mid-West Representative or our factory. Failure to do so will void any warranty.**

# Installation and Operating Instructions - Model 140 Series

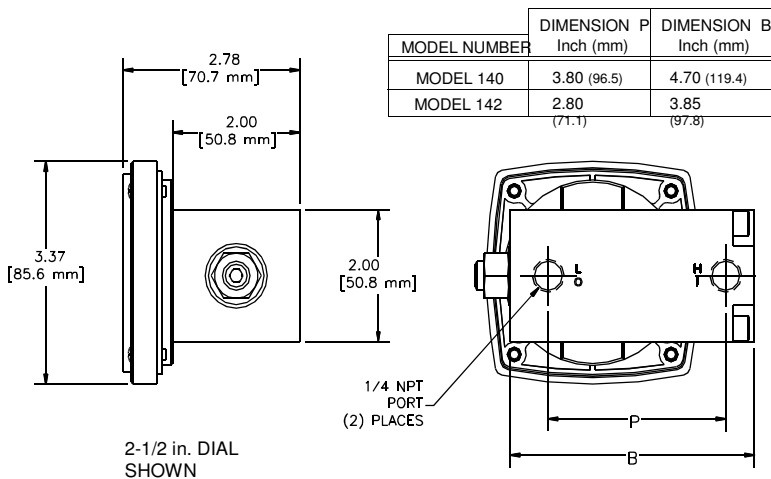
## INSTALLATION

Model 140 is calibrated and tested prior to shipment and is ready for immediate installation. Use of the following installation procedures should eliminate potential damage and provide optimum trouble-free operation.

### 1. CONNECTIONS

¼" FNPT connections are provided as standard however check the paperwork for the connections ordered. There are two connections on the housing identified as "HI" and "LO" for high and low pressure. Be sure to plumb to proper connections on your system. Improper connection will not damage instrument, but it will not function properly. Flexible tubing is recommended to minimize effect of possible vibration.

#### BACK CONNECTED PROCESS PORTS



### 2. INSTRUMENT LOCATION

It is recommended that installation is no closer than one inch of a steel surface otherwise accuracy will be affected. On liquid service, the instrument should be mounted **below** the process connections to facilitate self bleeding. On gas service, it should be located **above** the process fluid. If the process contains particulates, a "pigtail" loop or drop leg (manometer "U-tube" configuration) in the tubing will minimize the possibility of it migrating into the instrument.

**NOTE – On liquid applications, unequal liquid heads on high or low side will result in an inaccurate differential pressure indication.**

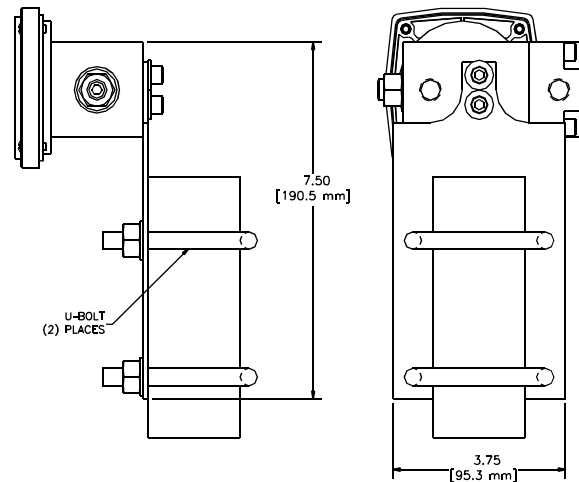
### 3. PANEL MOUNTING

Refer to drawing [Model 140 and 142 panel cut outs.pdf](#) for panel mount diagrams, dimensions, and options.

### 4. PIPE MOUNTING

An optional pipe mounting kit is available for mounting the gauge to a 2" vertical or horizontal pipe. Refer to drawing below for pipe mount diagrams and dimensions.

#### 2 INCH PIPE MOUNT (FOR VERTICAL OR HORIZONTAL PIPE)



### TROUBLE SHOOTING

#### 1. Gauge does not indicate differential

- Check for proper hook up, high to "HI" and low to "LO"
- Make certain block valves are open and, if using a 3-valve manifold, that the equalizer (balance) valve is closed.
- If A & B check out correctly, loosen or disconnect the high pressure line to determine if there is pressure to the instrument.
- Verify gauge is not in an electromagnetic/magnetic environment. i.e.; close proximity to high current power lines.
- If there is pressure to the instrument, check to determine that there is differential across the unit being monitored. If so, contact the factory for assistance and/or an "RGA" (return goods authorization) number to return the instrument for repair or replacement.