

Pressure transmitter PASCAL Ci4 for diaphragm seal operation, hygienic Type series CI411.



Application area

- Pharmaceutical industry
- Food industry
- Biotechnology

Application

The digital pressure transmitter PASCAL Ci4 is suitable for measuring the relative and absolute pressure of gases, vapors and liquids. Due to the design and various process connections the transmitter is suitable for the hygienic requirements of the food and pharmaceutical industry.

Features

- Pressure transmitter for the measuring of relative and absolute pressures of gases, vapors and liquids in applications for food and pharmaceutical industry
- Stainless steel case in hygienic design, degree of protection IP 65/67
- Accuracy $\leq 0.1\%$
- High-resolution graphic display with Intuitive 4-button operation and backlight
- Comprehensive parameterising functions
- Comprehensive simulation and diagnostic functions
- Quick access to device data
- Development according to SIL2
- Nominal range 0.25 bar to 40 bar
- Turndown up to 100:1
- Measuring rate up to 100 Hz
- Output signal 4...20 mA with HART® protocol
- Configuration memory
- Digital communication via PDM, FDT/DTM, 375/475 Field Communicator
- Output functions: linear, invers, square root, table function with up to 64 support points
- Media temperature up to 160 °C
- Wetted parts stainless steel
- Case design:
 - process connection bottom
 - process connection back
- Various hygienic process connections, selected connections with EHEDG certificate
- Approved according to NAMUR 95

Options

- Labom REconnect quick coupling device for easy and safe separation and connection of diaphragm seal systems; Type series MK1000, see data sheet DB_D6-022
- Accuracy $\leq 0.075\%$
- Approvals/Certificates
 - Explosion protection (ATEX/IECEx/UKEX) for gases and dust
 - Classification per SIL2
 - Material certificate per EN 10204-3.1
 - Calibration certificate per EN 10204-3.1
- As per UKCA regulations
- Active temperature compensation (ATC technology)
- Operating software LAB4Level for level measurements
- Removable display and control unit
- Degree of protection IP 69K
- Wetted parts electropolished

Technical data

Measuring ranges

Up to a turndown of 100:1 the measuring span can be freely selected

Nominal range	Measuring span		Overload capacity	Higher overload (option)	Sensor type
	min	max			
0...1 bar *	0,01 bar	2 bar	3 bar	-	Piezoresistive
0...4 bar *	0,04 bar	5 bar	10 bar	-	
0...16 bar *	0,16 bar	17 bar	60 bar	-	
0...40 bar *	0,4 bar	41 bar	100 bar	-	
-0,25...0,25 bar	0,0025 bar	0,5 bar	1 bar	6 bar	
-1...1 bar	0,01 bar	2 bar	3 bar	10 bar	
-1...4 bar	0,04 bar	5 bar	10 bar	25 bar	
-1...16 bar	0,16 bar	17 bar	60 bar	120 bar	
-1...40 bar	0,4 bar	41 bar	100 bar	120 bar	
0...1 bar abs	0,01 bar abs.	1 bar abs.	3 bar abs.	-	
0...4 bar abs	0,04 bar abs.	4 bar abs.	10 bar abs.	-	
0...16 bar abs	0,16 bar abs.	16 bar abs.	60 bar abs.	-	

* Short term or sporadic measurement in vacuum range permitted up to lower measuring limit. Lower range value up to -1 bar rel. adjustable.

** Vacuum-proof designs are available upon request.

Constructional design / case

Design: Two-chamber case, continuously rotatable by $\pm 170^\circ$
Case surface blasted

Material case:

- Stainless steel mat.no. 1.4301/1.4305 (304/303)
- Stainless steel mat.no. 1.4404 (316L)

Material front cover:

- Stainless steel mat.no. 1.4305 (303)
- Stainless steel mat.no. 1.4404 (316L)
- Polypropylene, black

Gaskets: Silicone / NBR

Degree of protection per EN 60529: IP 65 / IP 67
Option: IP 69K

Climatic category: 4K4H per EN 60721 3-4

Vibration resistance per EN 61298-3: 10...60 Hz: ± 0.35 mm
60...1000 Hz: 5 g

Material window:

- Macrolon
- Non-splintering glass (requires front cover of stainless steel)

Elec. connection:

- Circular connector M12
- Cable gland M16x1.5, PA black
- Cable gland M16x1.5, stainless steel
- Cable gland M20x1.5, PA black
- Cable gland M20x1.5, stainless steel
- 1/2" NPT, PA black

Further connections upon request

Terminal blocks:

- Spring clamp terminals up to 1.5 mm²
- Pole terminals up to 2.5 mm²
- Screw terminals up to 2.5 mm²

Weight: approx. 1.4 kg (without diaphragm seal)

Type plate: Laser marking

Process connection

Position:

- bottom
- back

Design: See order details

Material wetted parts

Material: See order details

Hygienic design

The surface roughness of the wetted parts made of stainless steel are executed according to EHEDG Doc.8 and ASME BPE SF3.

In case of choosing the additional feature HY, we guarantee the following surface roughness values:

Diaphragm foil: Ra ≤ 0.38 μ m

Laser welds: Ra ≤ 0.76 μ m

Turned parts: Ra ≤ 0.76 μ m

Further versions of hygienic design upon request.

Measuring system

Sensor: Piezoresistive measuring element

System filling: Synthetic oil FD1, free of silicone, FDA compliant

Measuring accuracy

Reference cond. per EN 61298-1: $T_U = \text{const. (15...25) } ^\circ\text{C}$
 $\varphi = \text{const. (45...75) \% r.F.}$
 $p_U = \text{const. (860...1060) mbar}$
 $U_B = 24 \text{ V DC } (\pm 3 \text{ V DC})$
 $R_B = 50 \text{ } \Omega$, HART: $250 \text{ } \Omega$
 Ground connected
 $MBA = 0 \text{ bar}$

Calibration position: Process connection bottom: vertical
 Process connection back: horizontal

Reference accuracy:

Per EN 60770 incl. non-linearity, hysteresis and repeatability refer to the adjusted measuring span:

Nominal range	Turndown $\leq 5:1$	Turndown $> 5:1$
1 - 40 bar	$\leq \pm 0.1 \%$	$\leq \pm 0.02 \% \times \text{TD}$
0.25 bar	$\leq \pm 0.15 \%$	$\leq \pm 0.03 \% \times \text{TD}$

Nominal range	Turndown $\leq 3,75:1$	Turndown $> 3,75:1$
1 - 40 bar	$\leq \pm 0.075 \%$	$\leq \pm 0.02 \% \times \text{TD}$

Long-term drift: Refer to nominal range
 $\leq 0.1 \%$ /year

Operational availability: $< 12 \text{ s}$

Response time t_{90} at current output:
 for 20 Hz measuring rate: typ. 120 ms
 for 100 Hz measuring rate: typ. 50 ms

Temperature influence, case:

Refer to nominal range		
Nominal range	temp. $-20...80 \text{ } ^\circ\text{C}$	temp. $-40...-20 \text{ } ^\circ\text{C}$
1 - 40 bar	$\leq \pm 0.1 \%/10\text{K}$, max. 0.3 %	typical $\leq \pm 0.2 \%/10\text{K}$
0.25 bar	$\leq \pm 0.15 \%/10\text{K}$, max. 0.4 %	

Temperature influence process connection:

For a detailed calculation of the temperature influence by the process connection, please contact us.
 For certain variants, a temperature compensated version is available, which improves the temperature error by up to a factor of 10.

Please see: General Technical Information TA_041, **ATC-technology**.

Indication

Display: - High-resolution graphic display with backlight
 - 4-button operation
 - Freely configurable display modes
 - continuously rotatable
 - Optional: Remote display and control unit (max. 10 m)

Configuration memory:

All parameterisation data can be copied from the device into the configuration memory in the display module. The data is permanently stored there, even in the event of power failure.

The parameters can be transferred simply and quickly to other devices.

Output

Signal: 2-wire technology 4...20 mA
 Lower limit 3.8...4 mA
 Upper limit 20...21 mA
 Lower alarm current $< 3.6 \text{ mA}$
 Upper alarm current $> 21 \text{ mA}$
 Current limitation 22 mA
 Digital communication: HART @ protocol, version 7

Device driver:

- EDD für SIMATIC PDM
- DTM for PACTware or compatible systems (FDT compliance)
- EDD for 375 / 475 Field Communicator

Function: ■ linear
 ■ inverse response
 ■ by square root
 ■ table function with up to 64 support points

Turndown: Max. 100:1

Damping: 0...999.9 s selectable in steps of 0.1 s

Measuring rate: 20 Hz, switchable to 100 Hz

Resolution: 0.5 μA

Current sensing func. 3.55...21.5 mA selectable in steps of 0.001 mA

Load R: $R \leq (U-12\text{V DC})/0.022 \text{ A } [\Omega]$

U = supply voltage

for HART @ communication $R \geq 230 \text{ } \Omega$

Supply voltage

Functional range: 12...30 V DC, protected against polarity reversal

Ripple: $< 5 \%$

Temperature ranges

Ambient: -40...80 °C
(Display visibility is limited at temperatures below - 30 °C)

Media: -20...160° C
at $T_a \leq 70$ °C , > 500 mbar abs
with temperature decoupler up to
200 °C

T_a = ambient temperature

Negative pressure application:

For detailed information on limits of use
for negative pressure applications, see
General Technical Information TA_038.

Storage: -40...80 °C

Tests and certificates

Ex approvals

ATEX: TÜV 13 ATEX 120264 X
⊕ II 1/2G Ex ia IIC TX Ga/Gb
⊕ II 1/2D Ex ia IIIC Txx °C Da/Db
⊕ II 2G Ex ia IIC TX Gb
⊕ II 2D Ex ia IIIC Txx °C Db

IECEX: IECEX TUN 13.0018X
Ex ia IIC TX Ga/Gb
Ex ia IIIC Txx °C Da/Db
Ex ia IIC TX Gb
Ex ia IIIC Txx °C Db

UKEX: CML 21UKEX21179X

⊕ II 1/2G Ex ia IIC TX Ga/Gb
⊕ II 1/2D Ex ia IIIC Txx °C Da/Db
⊕ II 2G Ex ia IIC TX Gb
⊕ II 2D Ex ia IIIC Txx °C Db

Detailed information can be found in the Ex instructions
XA_010 and XA_011 (depending on the Ex versions, see
order details).

EMC *: Per DIN EN 61326-1, NAMUR NE21

* A deviation of accuracy due to EMC
influence up to 0.25 % is impossible for
a design with process connection at the
back.

SIL 2: Functional safety per EN 61508, classifica-
tion per SIL2
For detailed information see SIL instruc-
tion SA_001

NAMUR: Approved according to NE95,
Test report TP14033 available upon re-
quest

Parameterisation, simulation and adjustment

Parameterisation

Parameter	Values	Default setting
Device		
device ID	16 digits, freely selectable	LABOM PASCAL Ci4
lower range value	at any value within nominal range	0 bar respectively 0 bar abs.
upper range value	at any value within nominal range	end of nominal range
measuring rate	20 Hz, 100 Hz	20 Hz
damping	0.0...999.9 s	0.0 s
Display and control unit		
pressure unit	mbar, bar, Pa, hPa, kPa, MPa, g/cm ² , kg/cm ² , psi, atm, Torr, mmH ₂ O, mH ₂ O, inH ₂ O, ftH ₂ O, mmHg, inHg	bar
temperature unit	°C, °F, °R, K	°C
lighting	on, off	on
language	English, German	German
	English, Chinese	as ordered
	English, Spanish, French	as ordered
	English, Polish, German	as ordered
	English, Turkish, German	as ordered
decimal point	auto, x.xxxx, xx.xxx, xxx.xx, xxxx.x, xxxxx	auto
display mode	five values, four values, three values, two values, big display	four values
main value	pressure, current (%), current (mA)	pressure
secondary values	pressure, current (%), current (mA), sensor temperature, device ID, HART-TAG, HART descriptor, <empty>	current (%), current (mA), device ID
Current output		
output function	linear, inverse response, by square root, table function	linear
table function	% of m.r., output current	depends on device
number of table points	2...64	2 (0 % ≙ 4 mA, 100 % ≙ 20 mA)
lower current limit	3.8...4.0 mA	3.8 mA
upper current limit	20...21 mA	20.5 mA
alarm current	low (<3.6 mA), high (> 21.0 mA)	low (<3.6 mA)
position correction (mounting position)	on, off	off
Maintenance counter		
maintenance interval	0...9999 days	0 days
status	on, off	off
HART data		
HART address	0...63	0
number of response preambels	5...20	5
current mode	proportional, constant	proportional

Diagnostic functions

Self- diagnosis	Description	Value range
RAM-Test	Permanent check of the read/write memory	/
ROM-Test	Permanent check of the checksum via the program memory	/
Bridge circuit test	Permanent check of the bridge circuit	/
CRC parameterisation test	Permanent check of the checksum via the parameter memory	/
Electronics temperature monitoring	Permanent check of the electronics temperature	/
Process diagnostics		
Maintenance timer	Check of the maintenance cycles	/
Operating hours counter	Capture of operating hours	/
Min/Max values	For process pressure and sensor temperature	/
Measuring circuit diagnostics		
loop-test	Setting of a fixed current value at the output	3.55...21.5 mA
pressure simulation	Setting a fixed pressure value, it also considers damping and tabular function unlike the current simulation	Nominal range

Adjustment

Type	Description
zero point correction	adjusts reading to zero at ambient pressure (for differential and gauge pressure devices)
position correction	adjusts reading of mounted device to zero at ambient pressure
lower adjustment	adjusts reading to applied pressure (affects zero point + span)
upper adjustment	adjusts reading to applied pressure (affects span only)
current adjustment	adjusts current output to achieve 4 resp. 20 mA at the end of the measurement chain

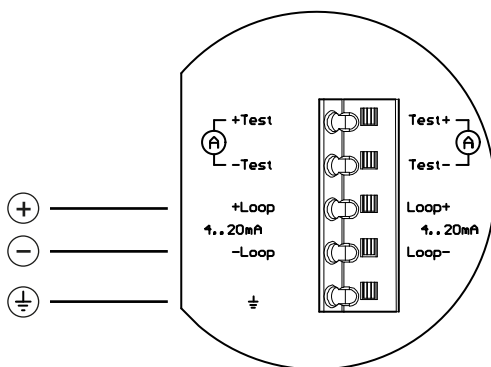
Alternative and additional possibilities of parameterisation for devices with level software LAB4Level

Parameter	Values	Default setting
Display and control unit		
filling height unit	mm, cm, m, ft, in, yd	m
volume unit	l, hl, m ³ , in ³ , ft ³ , gal	l
weight unit (mass)	g, kg, t, lb	kg
density unit	g/cm ³ , kg/cm ³ , t/m ³ , kg/l, lb/in ³ , lb/ft ³	g/cm ³
display mode	level 4 values, level 2 values, five values, four values, three values, two values, big display	level 4 values
main value	filling height, volume, weight, pressure, current in %, current in mA	filling height
secondary values	filling height, volumen, weight, pressure, static pressure, current in %, current in mA, sensor temperature, density, device ID, HART-TAG, HART-Descriptor, <leer>	current in %, current in mA, device ID
Level		
density	0.1...20 g/cm ³	1 g/cm ³
offset height	max 99.999 m	0 m
tank shape table	on/off	off (= linear)
table function	64 support points (filling heights/volume)	
Current output		
measured value	height, volume, weight, pressure (equal 4...20 mA)	height
number of table points	0 / 2...64	0

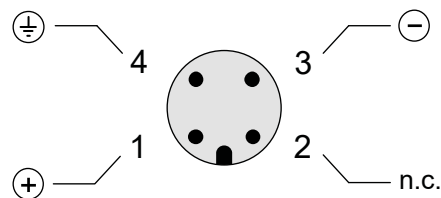
Diagnostic functions

Measuring circuit diagnostics		
simulation function	pressure, filling height, volume, weight (mass), current	/
min/max values	for process pressure, sensor temperature, filling height, volume and weight	/

Connection diagram



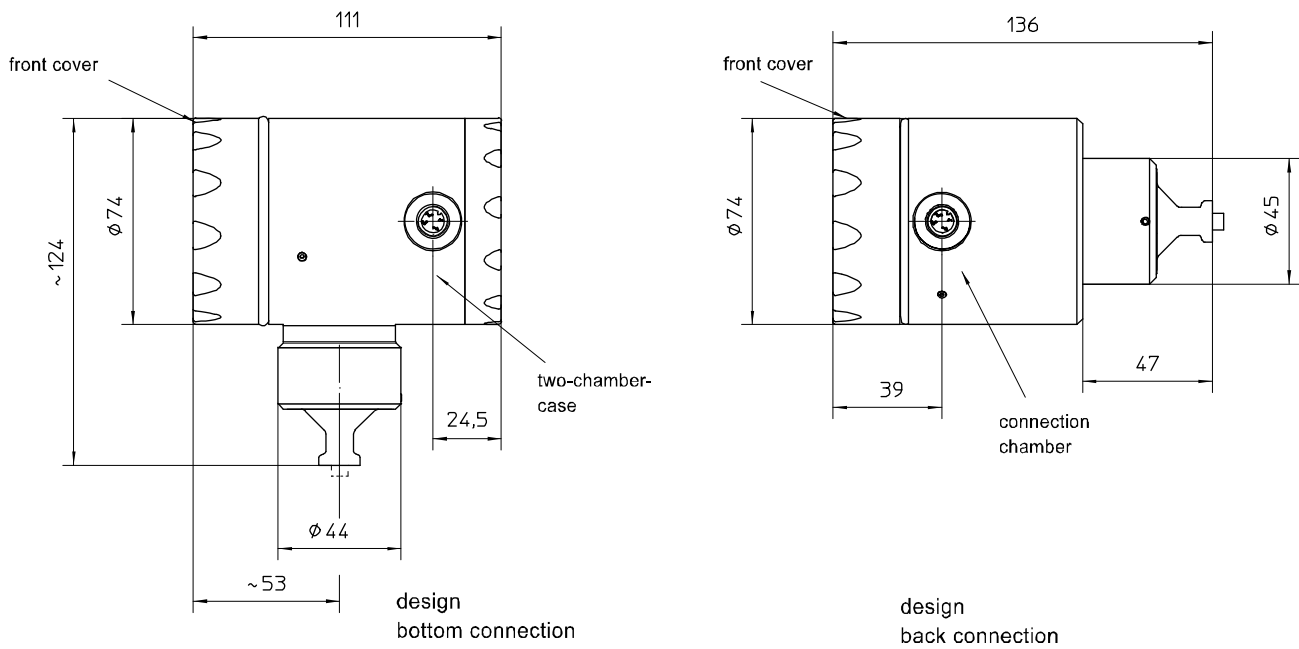
Cable gland



Circular connector M12 x 1

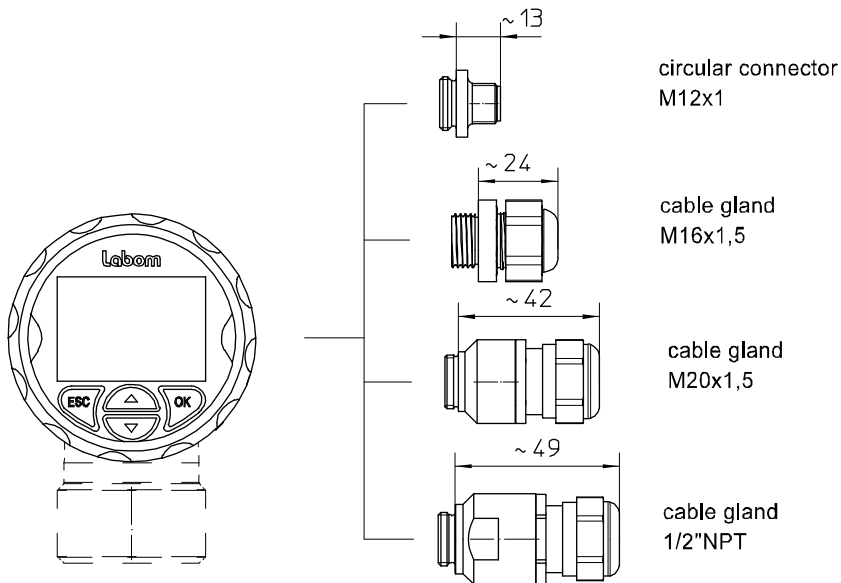
Dimensions

Case



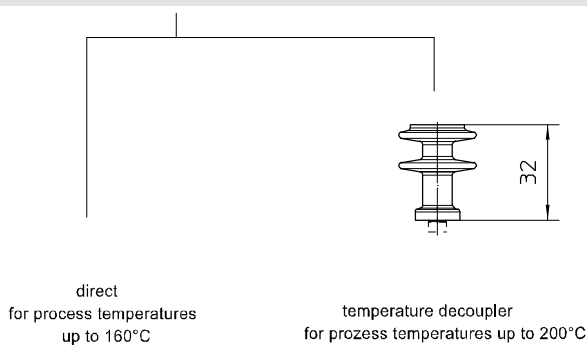
All dimensions are in mm

Electrical connections



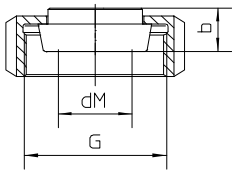
All dimensions are in mm

Connection

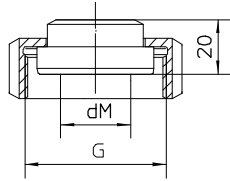


All dimensions are in mm

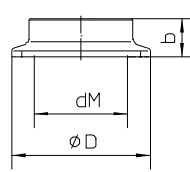
Process connection



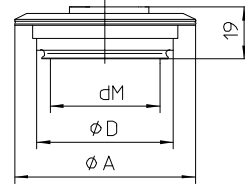
sanitary connection
with coupling nut
per DIN 11851



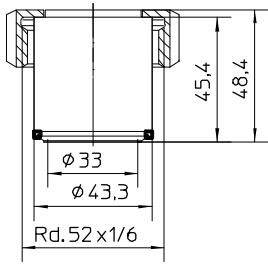
aseptic screw joint
collar connection
with union nut per
DIN 11864-1



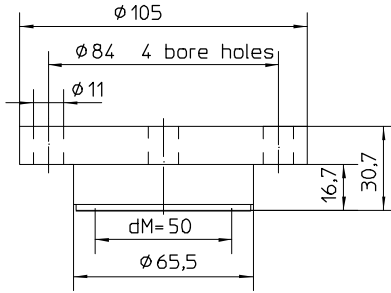
clamp connection
per DIN 32676/ISO 2852



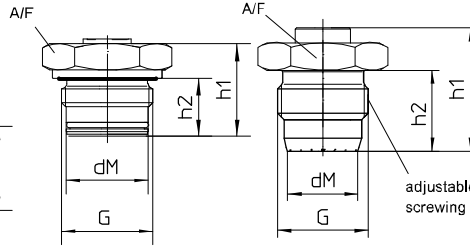
VARIVENT® connection for
VARINLINE® case



HYGENIC-Tubus *
Ø43,3 with screwing
DN25/PN40



DRD-connection DN50 PN40 *



Screw-in thread *
with o-ring-gasket
and additionally gasket
per DIN EN ISO 1179-2
model E (DIN 3852)

HYGENIC-screw-in thread *
no gasket
tightening torque
20 Nm, max. nominal pressure 10 bar
50 Nm, max. nominal pressure 50 bar

* weld-in adapter
see data-sheet D6-037

All dimensions are in mm

Sanitary pipe connection with union nut per DIN 11851

DN	PN	dM	b	G
25	40	27	16	Rd.52x1/6"
32	40	34	16	Rd.58x1/6"
40	40	40	16	Rd.65x1/6"
50	25	51	17	Rd.78x1/6"

Aseptic screw joint collar connection with union nut per DIN 11864-1

DN	PN	dM	G
25	40	24	Rd.52x1/6"
32	40	30	Rd.58x1/6"
40	40	34	Rd.65x1/6"
50	25	48	Rd.78x1/6"

Clamp connection per DIN 32676 model A (metric) for pipes per EN 10357 (DIN 11850)

DN	PN	dM	b	D
25	25	22.6	14	50.5
32	25	27	12	50.5
40	25	34	12	50.5
50	16	46	14	64

Clamp connection per DIN 32676 model B (OD, ISO) for pipes per DIN EN ISO 1127

DN	PN	dM	b	D
26.9	25	22.6	14	50.5
33.7	25	27	12	50.5
42.4	25	34	12	64
48.3	16	40	14	64

Clamp connection per DIN 32676 model C (Tri-Clamp) for pipes per ASME BPE

DN	PN	dM	b	D
3/4"	25	15.5	15	25
1"	25	22.6	14	50.5
1 1/2"	25	34	12	50.5
2"	16	46	14	64

Clamp connection per ISO 2852 for pipes per ISO 2037

DN	PN	dM	b	D
25	16	22.6	14	50.5
38	16	34	12	50.5
51	16	46	14	64

VARIVENT® connection for VARINLINE® access unit

Connection	PN	dM	A	D
Form F	25	40	66	50
Form N	25	58	84	68

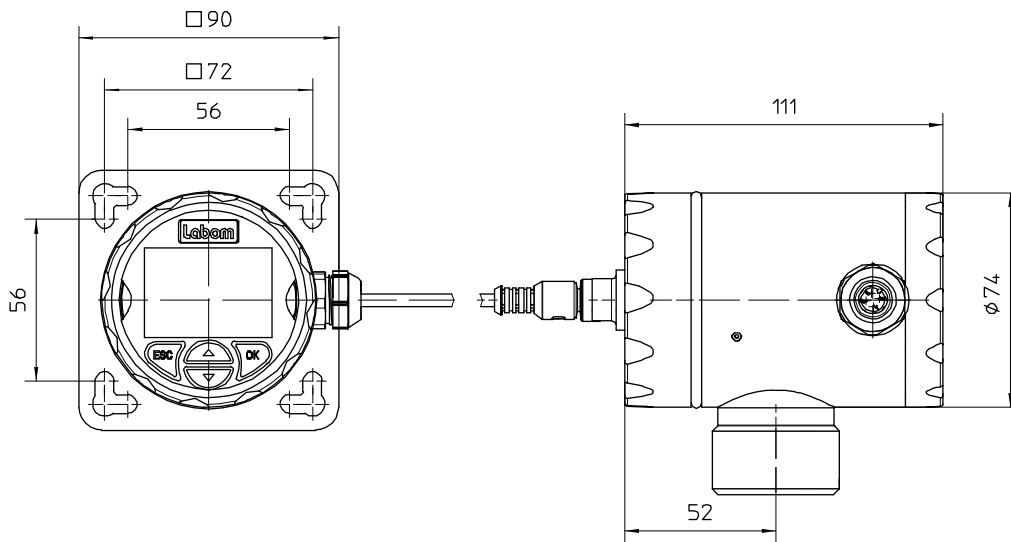
HYGENIC screw-in thread, gasket without elastomer

G	PN (bar)	dM	h1	h2	SW
G1 A	50	24	45	28.5	36

Screw-in thread with O ring gasket

G	PN (bar)	dM	h1	h2	SW
G1/2 A	200	15.5	33	20.5	27
G1 A	50	24	33	20.5	41

Remote display and control unit (Type series MC1140)



All dimensions are in mm

Order details

Pressure transmitter PASCAL Ci4 for diaphragm seal operation, hygienic Type series CI4110

Order details PASCAL CI411.									
Pressure transmitter PASCAL CI411. for diaphragm seal operation, hygienic									
CI4110	process connection bottom								
CI4113	process connection back								
	nominal range	turndown	overload limit [bar]	higher overload limit [bar]	Ex marking (see below)	sensor type			
A1053	0...1 bar	TD up to 100:1	3	-	S66 / S76 / S86	piezoresistive			
A1056	0...4 bar		10	-	S66 / S76 / S86				
A1059	0...16 bar		60	-	S66 / S76 / S86				
A1061	0...40 bar		100	-	S66 / S76 / S86				
A1063	0...100 bar		200	-	S62 / S77 / S87				
A1178	-0,25...0,25 bar		1	-	S66 / S76 / S86				
A1153	-1...1 bar		3	-	S62 / S77 / S87				
A1156	-1...4 bar		10	-	S62 / S77 / S87				
A1159	-1...16 bar		60	-	S62 / S77 / S87				
A1161	-1...40 bar		100	-	S62 / S77 / S87				
A1178.1	-0.25...0.25 bar		-	6	S62 / S77 / S87				
A1153.1	-1...1 bar		-	10	S62 / S77 / S87				
A1156.1	-1...4 bar		-	25	S62 / S77 / S87				
A1159.1	-1...16 bar		-	120	S62 / S77 / S87				
A1161.1	-1...40 bar		-	120	S62 / S77 / S87				
B1053	0...1 bar abs		3	-	S66 / S76 / S86				
B1056	0...4 bar abs		10	-	S66 / S76 / S86				
B1059	0...16 bar abs		60	-	S66 / S76 / S86				
F1	parameterisation	factory settings (standard)							
F2		as per customer's specification (pls. specify)							
H21	output signal	4...20 mA, with HART protocol							
Y1.	material case	stainless steel mat.-no. 1.4301 (304)							
Y2.		stainless steel mat.-no. 1.4404 (316)							
1	material front cover	polypropylene (black), window Macrolon							
2		stainless steel like case, window non splintering glass							
3		stainless steel like case, closed, without window							
				default language	available language				
M21.1	display	High-resolution graphic display with backlight, intuitive 4-button operation, quick access to device data		German (standard)	English, German				
M22.1				English					
M22.2				Chinese	English, Chinese				
M23.1				English					
M23.2				Spanish	English, Spanish, French				
M23.3				French					
M25.1				English	English, Polish, German				
M25.2				Polish					
M25.3				German					
M26.1				English	English, Turkish, German				
M26.2				Turkish					
M26.3				German					
M1					without display				

T20.	electrical connection	cable gland	M16 x 1.5 polyamide, for cable Ø 4.5-10 mm
T22.			M16 x 1.5 stainless steel mat.-no. 1.4404 (316L), for cable Ø 5-9 mm
T15.			M20 x 1.5 polyamide, for cable Ø 7-13 mm
T17.			M20 x 1.5 stainless steel mat.-no. 1.4404 (316L), for cable Ø 8-13 mm
T27.			1/2" NPT polyamide, for cable Ø 6-12 mm
0		cable clamps	spring clamp terminals up to 1.5 mm ²
5			pole terminals 2.5 mm ²
6			screwed terminals 2.5 mm ²
T30			circular connector M12 x 1 (4 pin)

Continuation order code				
K1085	design	standard		
K2085		with temperature decoupler		
K102	process connection material: ASTM 316L	sanitary pipe connection with union nut per DIN 11851 ^{1,2}	DN 25	
K103			DN 32	
K104			DN 40	
K105			DN 50	
K162			aseptic screw joint collar connection with union nut per DIN 11864-1 ¹	DN 25
K163		DN 32		
K165		DN 40		
K166		DN 50		
K124		clamp connection per ISO 2852 for pipes per ISO 2037 ^{1,2}	DN 25 (1")	
K126			DN 38 (1 1/2")	
K127			DN 51 (2")	
K144		clamp connection per DIN 32676, model A (metric) for pipes per EN 10357 (DIN 11850) ^{1,2}	DN 25	
K146			DN 32	
K147			DN 40	
K148			DN 50	
K213		clamp connection per DIN 32676, model B (OD, ISO) for pipes per DIN EN ISO 1127 ^{1,2}	DN 26,9	
K214			DN 33,7	
K215			DN 42,4	
K216			DN 48,3	
K134		clamp connection per DIN 32676, model C (Tri-Clamp) for pipes per ASME BPE ^{1,2}	DN 3/4" ³	
K136			DN 1"	
K137			DN 1 1/2"	
K138			DN 2"	
K152		VARIVENT® connection ^{1,2}	Form F (D=50) for VARINLINE® access unit	
K153			Form N (D=68) for VARINLINE® access unit	
K172		HYGIENIC Tubus	Ø 43,3 mm with screwing DN 25/PN 40	
K185		DRD connection	nominal width DN 50 / nominal pressure PN 40	
K195		screw-in thread	G 1 A with O-ring seal	
K80			G 1 A with hygienic process connection (elastomer-free)	
HY		surface roughness (wetted parts)	Hygienic version as per EHEDG Doc. 8 and ASME BPE SF3	

Additional features (to be indicated if required)		
Q11	Accuracy	≤ 0.075 ⁴
S66		ATEX
		<div style="display: flex; justify-content: space-between;"> II 1/2G, II 2G Ex ia IIC TX Ga/Gb, Gb </div> <div style="display: flex; justify-content: space-between;"> II 1/2D, II 2D Ex ia IIIC Txx°C Da/Db, Db </div>
S76	Ex marking ⁵ (details see Ex Instruction XA_010)	IECEX
		<div style="display: flex; justify-content: space-between;"> Ex ia IIC TX Ga/Gb, Gb </div> <div style="display: flex; justify-content: space-between;"> Ex ia IIIC Txx°C Da/Db, Db </div>
S86		UKEX
		<div style="display: flex; justify-content: space-between;"> II 1/2G, II 2G Ex ia IIC TX Ga/Gb, Gb </div> <div style="display: flex; justify-content: space-between;"> II 1/2D, II 2D Ex ia IIIC Txx°C Da/Db, Db </div>
S62		ATEX
		<div style="display: flex; justify-content: space-between;"> II 1/2G, II 2G Ex ia IIC TX Ga/Gb, Gb </div> <div style="display: flex; justify-content: space-between;"> II 1/2D, II 2D Ex ia IIIC Txx°C Da/Db, Db </div>
S77	Ex marking ⁵ (details see Ex Instruction XA_011)	IECEX
		<div style="display: flex; justify-content: space-between;"> Ex ia IIC TX Ga/Gb, Gb </div> <div style="display: flex; justify-content: space-between;"> Ex ia IIIC Txx°C Da/Db, Db </div>
S87		UKEX
		<div style="display: flex; justify-content: space-between;"> II 1/2G, II 2G Ex ia IIC TX Ga/Gb, Gb </div> <div style="display: flex; justify-content: space-between;"> II 1/2D, II 2D Ex ia IIIC Txx°C Da/Db, Db </div>
X1	vacuum application	negative pressure service
X2		vacuum service
temperature limits see TA_038 Pressure Transmission Fluids		
X3	Active Temperature Compensation (ATC) ⁶	
X4	operating software LAB4Level for level applications	
T4	degree of protection	IP 69K ⁵
W4035	elektropolishing	wetted parts
W1020	material certificate	per DIN EN 10204-3.1, wetted parts
W1201	calibration certificate	per DIN EN 10204-3.1, 5 measuring points
W2602	functional safety per EN 61508, classification per SIL2	
W2660	as per UKCA regulations	

Accessories		
MC1140	PASCAL Ci4 remote display and control unit including wall bracket	
	material stainless steel, incl. front ring with seal and blind cap with circular connector M12x1	
A1.	connection cable	length: 10 m, material: PUR, with circular connector M12 x1 (further lengths upon request)
1	internal cable clamps	spring clamp terminals up to 1.5 mm ²
2		pole terminals 2.5 mm ²
3		screwed terminals 2.5 mm ²
T1	degree of protection	IP 65 / IP 67 (standard)
MZ8120-A11	mounting set for wall bracket	2 mounting brackets for pipe and frame mounting Ø 30-50 mm, incl. nuts and washers
MZ8120-A12		2 mounting brackets for pipe and frame mounting Ø 40-64 mm, incl. nuts and washers

Order code (example): CI4110 – A1056 – F1 – H21 – Y12 – T200 – K1085 – K102 - ...

¹ EHEDG certified only in connection with hygienic design (order code option HY)

² EHEDG certificate valid only if gaskets are used that are listed in the "EHEDG position paper"

³ for a function calculation and optimim system design it is necessary to specify the operation temperature

⁴ only for nominal ranges: 1...40 bar at a Turndown of ≤ 3.75:1

⁵ Requires front cover of stainless steel

⁶ only for devices directly welded